



X30 2024

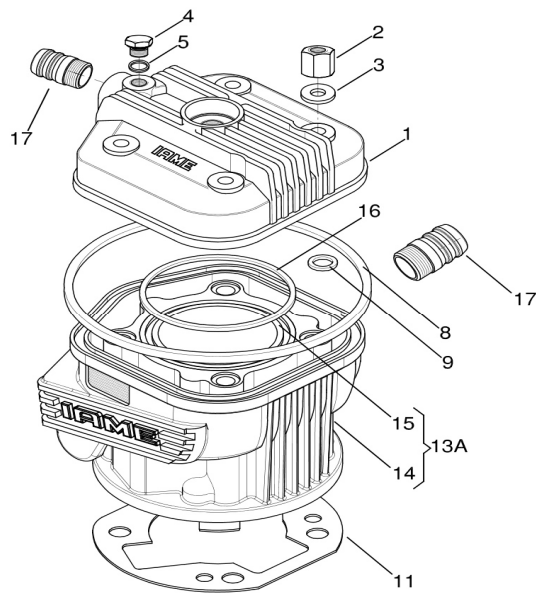


パーツ価格表 2024

(株)コジマブレーンファクトリー
336-0923 埼玉県さいたま市緑区大間木1666-1
TEL048-874-8041 FAX048-874-8063
<http://www.kojima-bf.co.jp/>

商品の仕様・価格は予告なく変更する場合がございますのでご了承願います。

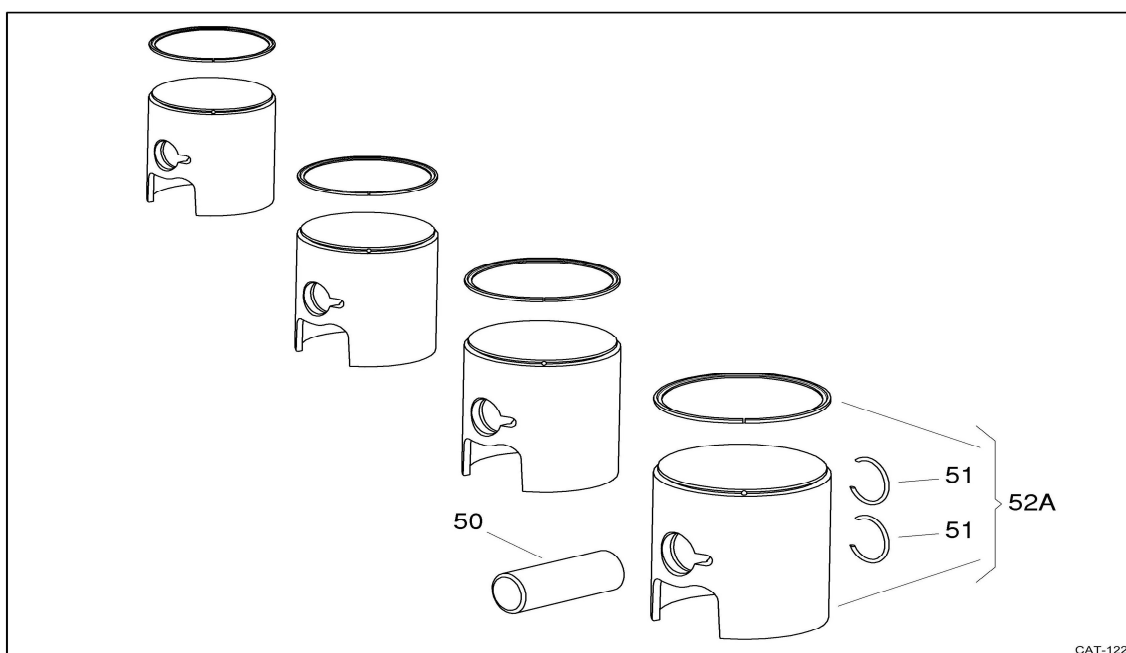
CYLINDER & CYLINDER HEAD



CAT-227 B

POS	COD	DESCR	PRICE(税抜)
01	X30125040-C	CYL. HEAD X30	¥36,800
02	10350	HEAD NUT	¥390
03	10635	HEAD NUT WASHER H=3mm	¥190
04	B-25840	TEMP. GAUGE PLUG	¥550
05	B-25845	TEMP. GAUGE PLUG GASKET	¥380
08	F-38820	EXT. HEAD OR	¥1,830
09	B-25825	OR STUD-BOLT	¥200
11	EBP-125045	CYL. GASKET 4/10 SUD-TOP/X30	¥390
11	EBP-125046	CYL. GASKET 2/10 SUD-TOP/X30	¥390
11	EBP-125047	CYL. GASKET 1/10 SUD-TOP/X30	¥520
13A	X30125033	COMPLETE CYLINDER X30	¥123,000
16	D-37049	INT. HEAD OR	¥900
17	IFA-40500	WATER PIPE FITTING	¥1,240

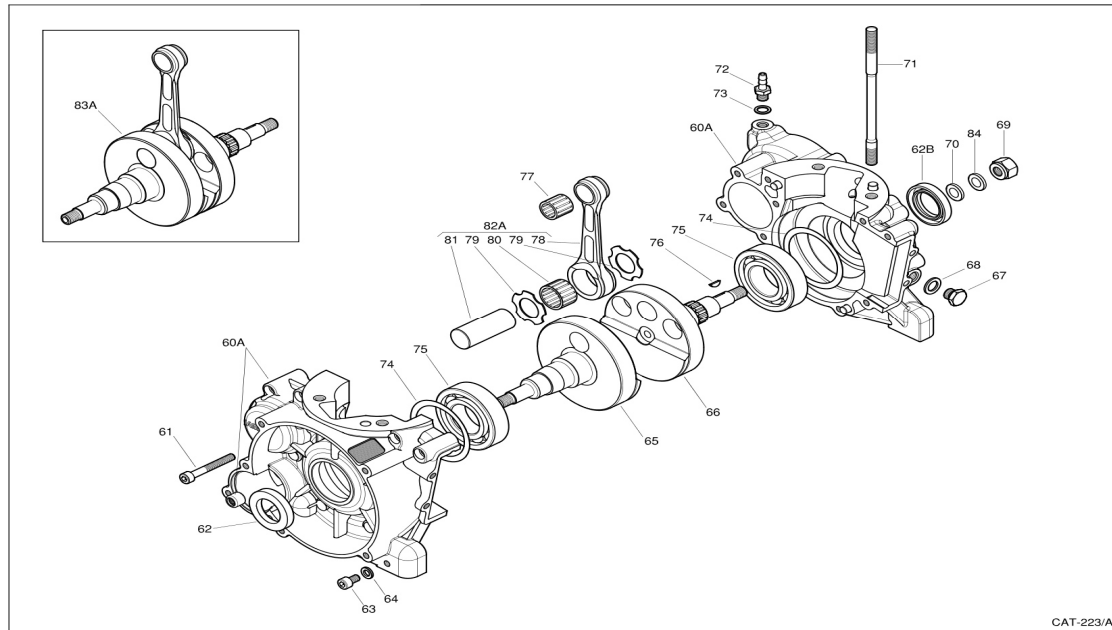
PISTON



CAT-122

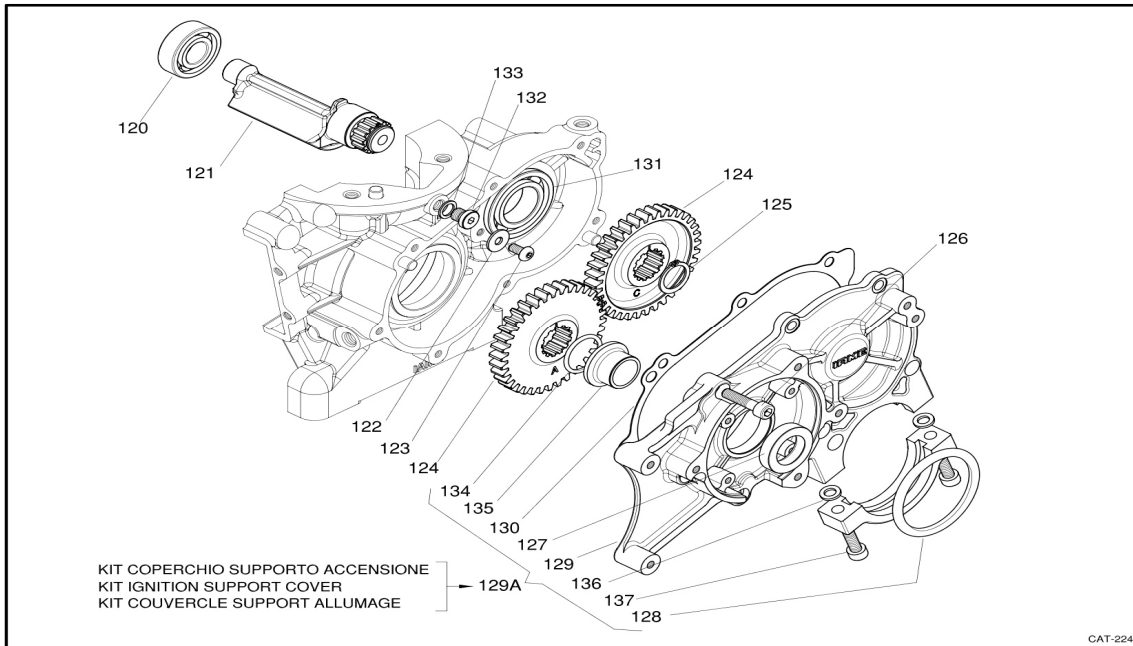
POS	COD	DESCR	PRICE(税抜)
050	X30125320B	PISTON PIN 14x44 2^SEL.	¥3,300
050	X30125320R	PISTON PIN 14x44 1^SEL.	¥3,300
051	10341-A	CIRCLIP W/OUT TAILS	¥250
052A	BP-25051-CR	PISTON COMPL. PR 54.00r	¥19,700
052A	BP-25051-CV	PISTON COMPL. PR 54.00v	¥19,700
052A	BP-25056-CR	PISTON COMPL. PR 54.02r	¥19,700
052A	BP-25056-CV	PISTON COMPL. PR 54.02g	¥19,700
052A	BP-25058-CR	PISTON COMPL. PR 54.05r	¥19,700
052A	BP-25058-CV	PISTON COMPL. PR 54.05g	¥19,700
052A	BP-25059-CR	PISTON COMPL. PR 54.07r	¥19,700
052A	BP-25059-CV	PISTON COMPL. PR 54.07v	¥19,700
052A	BP-25061-CR	PISTON COMPL. PR 54.10r	¥19,700
052A	BP-25061-CV	PISTON COMPL. PR 54.10g	¥19,700
052A	BP-25066-CR	PISTON COMPL. PR 54.12r	¥19,700
052A	BP-25066-CV	PISTON COMPL. PR 54.12g	¥19,700
052A	BP-25068-CR	PISTON COMPL. PR 54.15r	¥19,700
052A	BP-25068-CV	PISTON COMPL. PR 54.15g	¥19,700
052A	BP-25069-CR	PISTON COMPL. PR 54.17r	¥19,700
052A	BP-25069-CV	PISTON COMPL. PR 54.17v	¥19,700
052A	BP-25071-CR	PISTON COMPL. PR 54.20r	¥19,700
052A	BP-25071-CV	PISTON COMPL. PR 54.20g	¥19,700
052A	BP-25076-CR	PISTON COMPL. PR 54.22r	¥19,700
052A	BP-25076-CV	PISTON COMPL. PR 54.22g	¥19,700
052A	BP-25081-CR	PISTON COMPL. PR 54.25r	¥19,700
052A	BP-25081-CV	PISTON COMPL. PR 54.25g	¥19,700
052A	BP-25086-CR	PISTON COMPL. PR 54.27r	¥19,700
052A	BP-25086-CV	PISTON COMPL. PR 54.27g	¥19,700

CRANKCASE & CRANKSHAFT



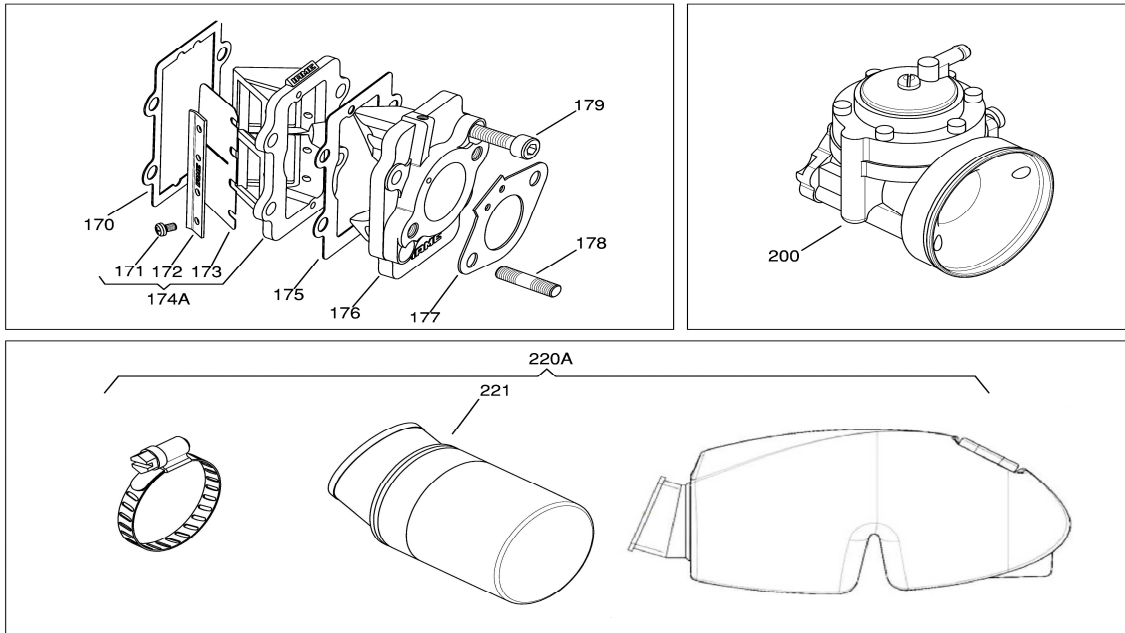
POS	COD	DESCR	PRICE(税抜)
060A	X30125485-C	CRANKCASE W/CAGE X30	¥138,000
061	00049-K	ALLEN SCREWS 6x45	¥40
062	X30125425A	OIL SEAL MAGN./DRIVE SIDE	¥1,960
063	00059-K	SCREWS TCCE M6x12	¥30
064	00302-K	WASHERS M6	¥25
065	X30125385	DR .S. H. CRANKSHAFT X30	¥58,300
066	X30125390	MAGN. S. H. CRANKSHAFT X30	¥52,000
067	B-25840	TEMP. GAUGE PLUG	¥560
068	B-25845	TEMP. GAUGE PLUG GASKET	¥390
069	00382	NUT M10x1	¥250
070	00305-K	WASHERS M10	¥45
071	B-25347	CYLINDER TIE-ROD 8x153	¥1,450
072	D-95800	PRESSURE FITTING	¥560
073	B-71805	PRESSURE Cu FITT. GASKET	¥200
074	X30125404	STEEL SHIM 0.05 X30	¥470
074	X30125405	STEEL SHIM 0.10 X30	¥390
074	X30125406	STEEL SHIM 0.15 X30	¥390
075	X30125396A	BALL BEARING SKF 6206	¥3,500
75	X30125396J	BALL BEARING KOYO 6206	¥1,200
075	X30125397	ROLLER BEARING BC1-3342B	¥14,600
076	10375	MAGNETO/SPROCKET SHAFT END KEY	¥390
077	E-10441	SMALL END ROLLER CAGE	¥4,600
079	X30125437	SILVER BRONZE WASHER TOOLED	¥1,350
080	X30125431	BIG END CAGE	¥11,800
080	X30125431(J)B2	BIG END CAGE(J)B2	¥5,000
080	X30125431(J)B4	BIG END CAGE(J)B4	¥5,000
081	X30125450	CRANKPIN 20x48.8	¥3,700
082A	ENC50100-C	CONROD ASSY 102mm / PIN 48.8 X30	¥75,600
	ENC00101	COMPLETE CRANKSHAFT X30	¥192,000
	00342-K	WASHERS 10,5x18x0,8	¥40

BALANCING SHAFT



POS	COD	DESCR	PRICE(税抜)
120	IZF-90510	BALL BEARING SKF 6202 TN9/C4H	¥2,100
121	X30125750	BALANCING SHAFT X30	¥18,600
122	00313-K	WASHERS M5x15	¥20
123	00257-K	SCREWS M5x10	¥50
124	X30125755B	BALANCING SHAFT GEAR X30	¥11,500
125	X30125758	SEEGER SHAFT GEAR	¥200
126	00042-K	SCREWS TCCE 6x16	¥50
127	X30125880	OIL SEAL TC 22x32x7	¥910
128	X30125853	DAMPENER OR	¥200
129	X30125875A	IGNIT. SUPP. COVER X30	¥35,000
129A	X30125875A-C	X30 IGNITION SUPPORT COVER KIT	¥40,500
130	X30125878A	COVER GASKET X30	¥1,800
131	X30125746A	BALL BEARING 6005	¥2,700
132	X30125490	PRESSURE PLUG	¥560
133	B-71805	PRESSURE Cu FITT. GASKET	¥200
134	X30125762	GASKET OR X30	¥390
135	X30125760	GEAR SPACER X30	¥3,700
136	00302-K	WASHERS M6	¥20
137	00045-K	SOCKET H. SCREWS M6X25	¥45

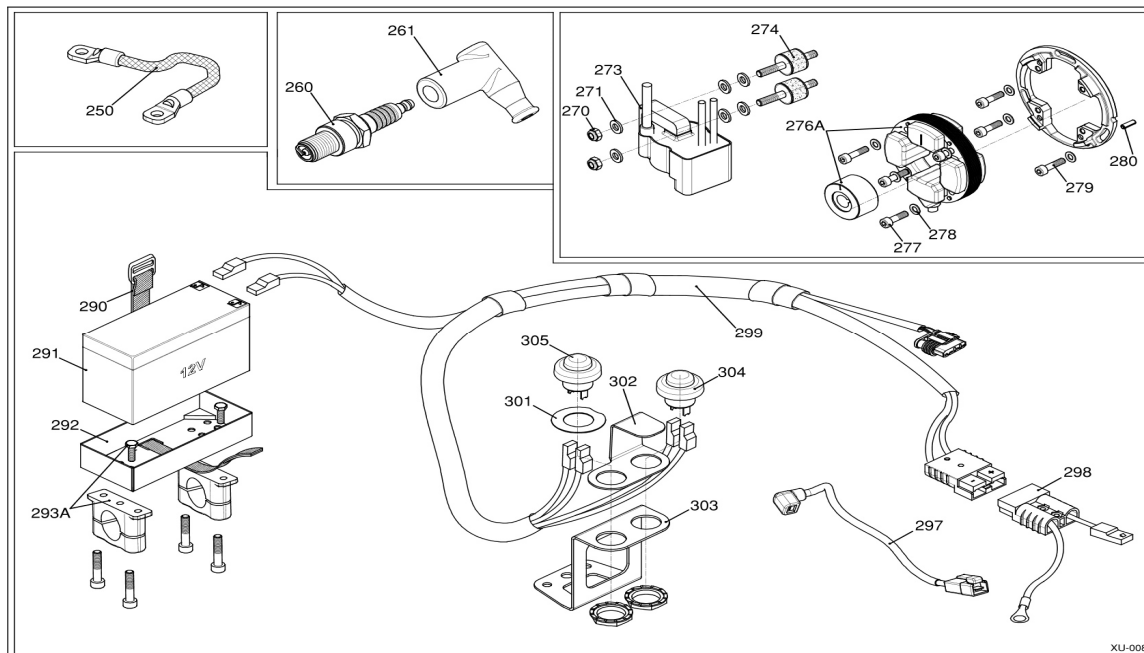
INLET



CAT- FX 232

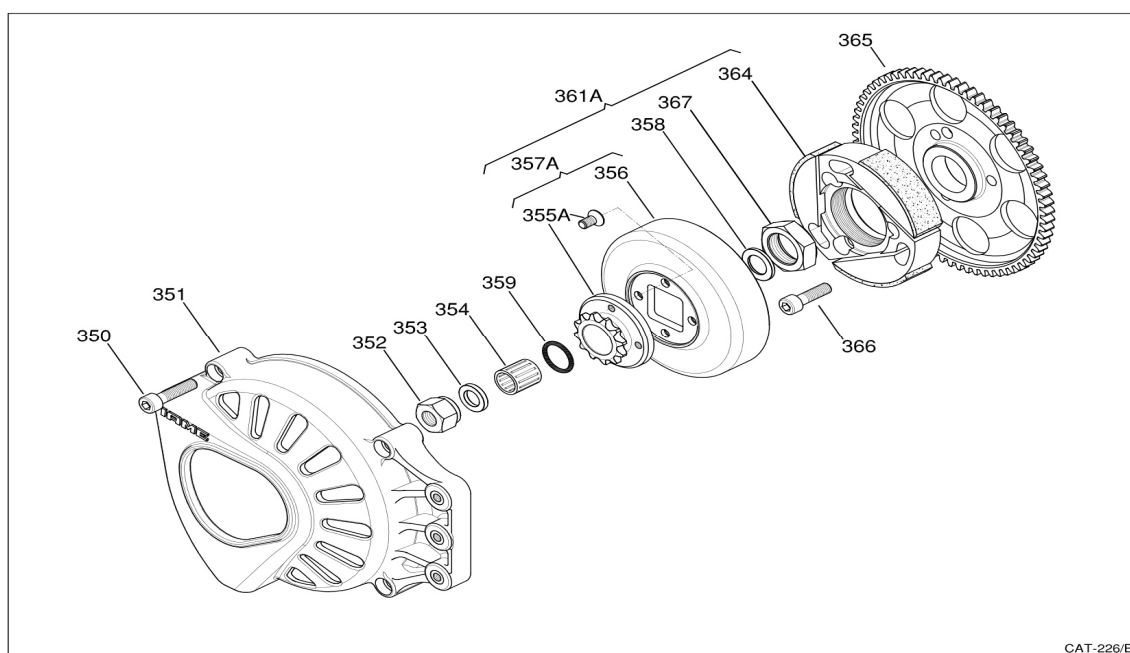
POS	COD	DESCR	PRICE(税抜)
170	X30125810A	REED BLOCK GASKET X30	¥1,200
171	10380	REEDS SCREW	¥200
172	F-11845A	REED CLIPS	¥390
173	F-11840-C	CARBON REED PETALS KIT	¥6,300
174A	F-11830B-C	REED GROUP CARBON	¥18,000
174A	X3011830R-C	REED BLOCK X30	¥15,000
175	X30125809A	TOP CONVEYOR GASKET X30	¥1,200
176	X30125816	CONVEYOR 29mm X30	¥12,000
177	X30125360A	CARB. GASKET TILLOTSON HW-27A	¥410
178	F-40525	STUDBOLT M6x30	¥560
179	00045-K	SOCKET H. SCREWS M6X25	¥40
200	10948C	CARBURETTOR TILL. HW-27A	¥63,000
220A	X30125740	INLET SILENCER IAME	¥18,000
221	10751-A	INLET SILENCER FILTER	¥6,900
222	10755	MANYFOLD CLAMP	¥670

IGNITION PLANT DIG. S



POS	COD	DESCR	PRICE(税抜)
250	B-35805-A	COIL GROUND CABLE	¥910
260	10561-A	SPARK PLUG NGK BR10EG	
260	10562	SPARK PLUG NGK R6254E-105	
261	10544	PVL SPARK PLUG CAP BLACK	¥3,200
270	00378-K	SELF LOCKING NUTS KIT M6	¥30
271	00302-K	WASHERS M6	¥20
273	X30125933C	COIL/ELC. BOX "C" DIG. S X30	¥54,000
274	B-35810-A	COIL DAMPENER	¥1,260
276A	X30125953	IGNITION DIG. S X30	¥29,800
277	00032-K	SCREWS TCCE 5x20	¥45
278	00301-K	WASHERS M5	¥20
279	00037-K	SCREWS KIT TCCE 5X18	¥50
290	A-60904A	BATTERY FIXING BELT	¥1,850
292	X30125905	BATTERY SUPPORT	¥4,500
293A	A-60907A-C	BATTERY SUPPORT CLAMP 30mm W/SCREWS	¥4,500
293A	A-60908A-C	BATTERY SUPPORT CLAMP 32mm W/SCREWS	¥4,500
297	IFE-05600	STARTER CABLE	¥3,980
298	IFE-05401D	STARTER MOTOR CABLE	¥4,300
299	IFE-05004	CABLES HARNESS PVL DIGITAL	¥25,500
302	IFI-70101	SECURITY BRACKET	¥1,700
303	IFI-70001	BUTTONS BRACKET X30	¥1,700
304	IFE-05003-PS	START BUTTON	¥4,500
305	IFE-05003-PR	STOP BUTTON	¥4,500

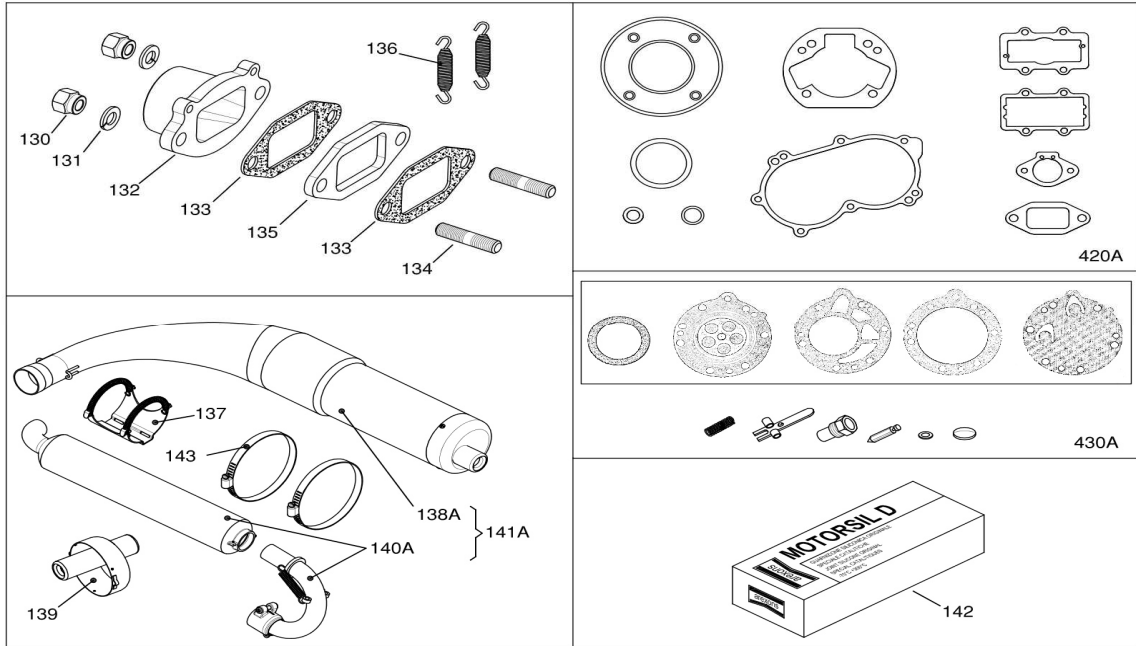
CLUTCH GROUP



CAT-226/B

POS	COD	DESCR	PRICE(税抜)
350	00045-K	SOCKET H. SCREWS M6X25	¥45
351	X30125595	CLUTCH GUARD X30	¥8,600
352	D-75570	STARTER NUT TaG	¥620
353	D-75573	EXTERNAL WASHER	¥320
354	B-55598	CLUTCH ROLLER CAGE JUN-CIK	¥1,700
355A	X30125554-C	SPROCKET Z10 W/SCREWS	¥9,710
355A	X30125555-C	SPROCKET Z11 W/SCREWS	¥9,710
355A	X30125556-C	SPROCKET Z12 W/SCREWS	¥9,710
355A	X30125557-C	SPROCKET Z13 W/SCREWS	¥9,710
356	X30125550A	CLUTCH DRUM BLIND	¥11,180
357A	X30125550A-C10	CLUTCH DRUM BLIND + SPR Z10	
357A	X30125550A-C11	CLUTCH DRUM BLIND + SPR Z11	
357A	X30125550A-C12	CLUTCH DRUM BLIND + SPR Z12	
358	D-75565	THRUST INT. WASHER H=1,8mm	¥450
359	A-60565	CLUTCH DRUM OR	¥240
361A	X30125841-C10	CLUTCH GROUP Z10	
361A	X30125841-C11	CLUTCH GROUP Z11	
361A	X30125841-C12	CLUTCH GROUP Z12	
364	X30125841	PADDED HUB X30 '13	¥29,000
365	X30125831	STARTER WHEEL Z70 X30 '13	¥18,400
366	00042T-K	SCREWS M6X16 TECNIC 150	¥90
367	IFF-21300	WHEEL LOCKING NUT	¥1,800

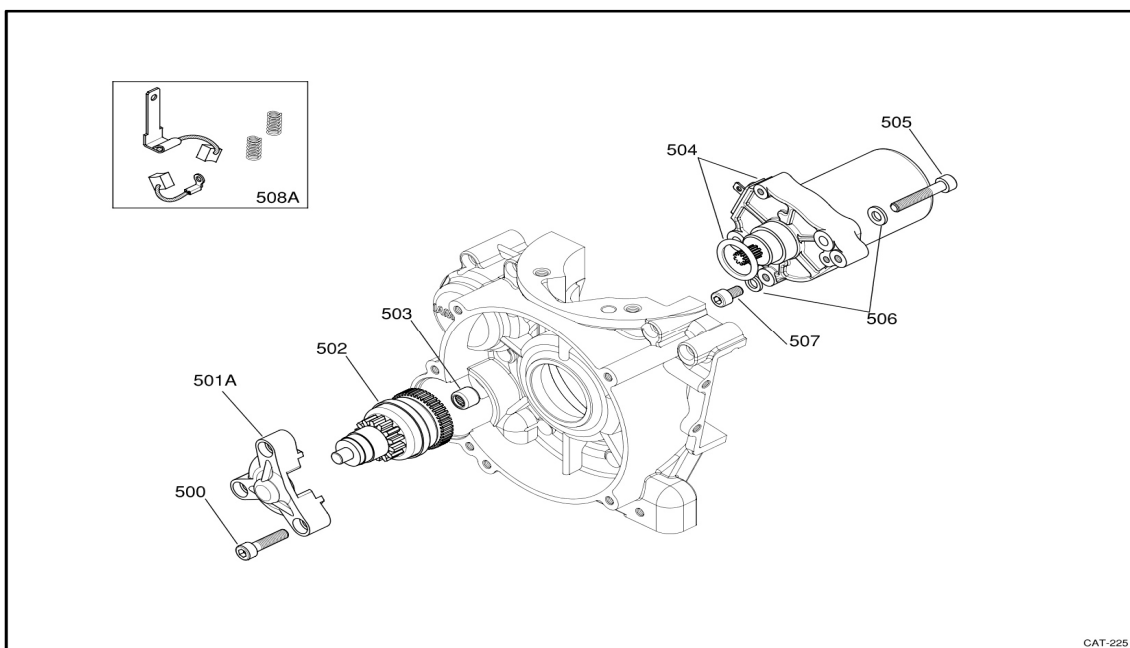
EXHAUST GROUP & GASKETS SET



CAT-FX-011

POS	COD	DESCR	PRICE(税抜)
130	B-71662	EXHAUST NUT 8mm	¥390
131	00332-K	KIT OF 20 ELAST. WASHERS M8	¥20
132	X30125370	EXHAUST MANIFOLD X30	¥15,900
132	X30125370J	EXHAUST MANIFOLD X30 22.7mm	¥15,900
133	B-75360	EXHAUST GASKET	¥910
134	X30125355	STUD BOLT M8x42	¥910
135	X30125375	EXHAUST MANIFOLD SPACER 3mm X30	¥3,600
136	IFH-55100	FLEXIBLE SPRING KF1-2 / KZ	¥970
138A	X30125715	ONE-PIECE EXHAUST X30	¥50,000
139	X30125720	SILENCER END X30	¥11,000
140A	X30125723-K	X30 ADDITIONAL SILENCER KIT	¥49,000
142	00602	GASKET AREXON	¥7,400
420A	X30125991	GASKETS KIT X30	¥5,600
	RK-6HW	REP. KIT CARB. TILLOTSON HW27A	¥5,200
	DG-3HW	DIAPHRAGM KIT TILL.HW19A/27A	¥2,600
	233-721P	INLET NEEDLE & SEAT SET	¥2,800

ELECTRIC STARTER GROUP



CAT-225

POS	COD	DESCR	PRICE(税抜)
500	00045-K	SOCKET H. SCREWS M6X25	¥45
501	A-60870-C	BENDIX SUPPORT KIT	¥3,800
502	A-120856	BENDIX	¥19,400
503	A-60865	ROLLER CAGE TaG	¥1,300
504	A-120851A	STARTER MOTOR	
505	00047-K	ALLEN SCREWS 6x35	¥40
506	00302-K	WASHERS M6	¥20
507	00059-K	SCREWS TCCE M6x12	¥30
508A	A-60852A-C	STARTER BRUSHES KIT	¥3,400

COOLING SYSTEM

550A
KIT n° T-8301A-C

555A
DIAMETRI - DIAMETERS - DIAMETRES
Y= 28mm : Kit n° T-8117-C
Y= 30mm : Kit n° T-8117-C1
Y= 32mm : Kit n° T-8117-C2

560A

570

580A
NOTE
Il gruppo POMPA comprende il SUPPORTO, la PULEGGIA e gli ANELLI di gomma.
The PUMP group includes CLAMP, PULLEY and rubber RINGS.
Le groupe POMPE comprend le SUPPORT, la POULIE et les COURROIES.

581

590A

SCHEMA DI MONTAGGIO
ASSEMBLING LAYOUT
SCHEMA DE MONTAGE

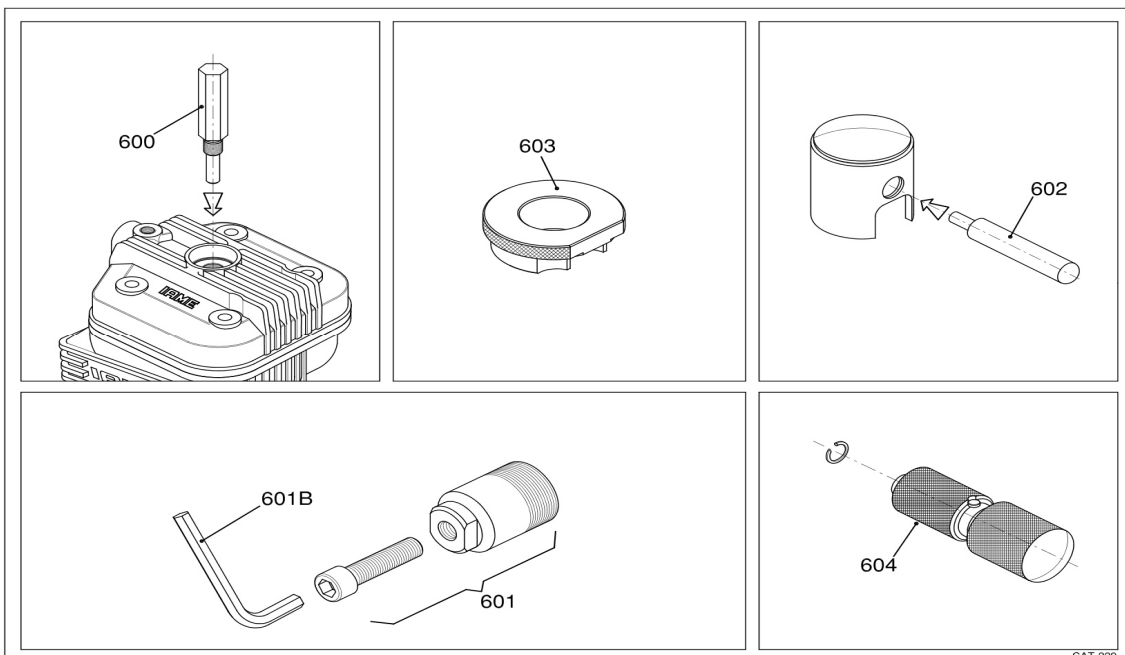
IMPIANTO PER RAFFREDDAMENTO LIQUIDO
WATERCOOLED ENGINE DEVICE
EQUIPEMENT REFRIGERATION LIQUIDE

DIAMETRI - DIAMETERS - DIAMETRES
K=30mm + W=30mm : Kit n° T-8202-C
K=30mm + W=35mm : Kit n° T-8202-C1
K=30mm + W=40mm : Kit n° T-8202-C2
K=32mm + W=40mm : Kit n° T-8202-C3
K=32mm + W=35mm : Kit n° T-8202-C4
K=30mm + W=50mm : Kit n° T-8202-C5
K=32mm + W=50mm : Kit n° T-8202-C6
K=32mm + W=30mm : Kit n° T-8202-C7

CAT-244/A

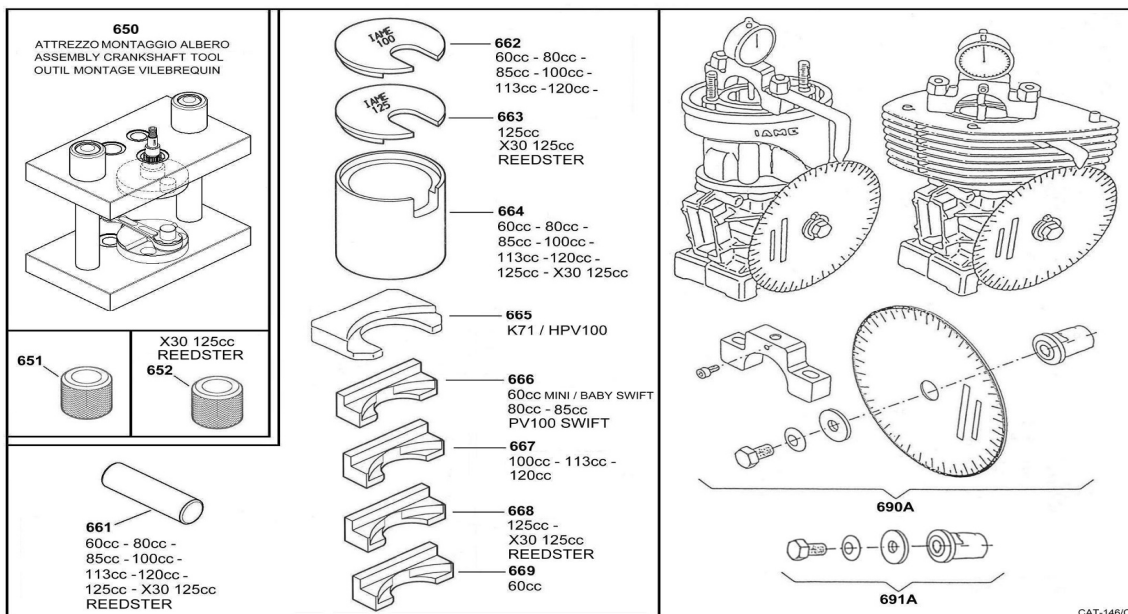
POS	COD	DESCR	PRICE(税抜)
550A	T-8313B-C	HOSES COMPLETE KIT BLUE	¥11,800
555A	T-8117-C	RADIATOR CLAMP KIT mm 28	
555A	T-8117-C1	RADIATOR CLAMP KIT mm 30	¥4,000
555A	T-8117-C2	RADIATOR CLAMP KIT mm 32	¥4,000
560A	T-8135-C	RADIATOR 410*186mm SUPPORT KIT	¥15,200
560A	T-8136-C	RADIATOR 410*230mm SUPPORT KIT	¥15,200
570	T-8000B	RADIATOR 410*186mm	¥49,000
570	T-8001	RADIATOR 410*230mm	¥59,000
580A	T-8202-C7	PUMP GROUP mm 32/30	
580A	T-8203-C	WATER PUMP ALU GROUP 30/30	
580A	T-8203-C2	WATER PUMP ALU GROUP 30/40	
580A	T-8203-C3	WATER PUMP ALU GROUP 32/40	
580A	T-8203-C5	WATER PUMP ALU GROUP 30/50	¥29,600
580A	T-8203-C6	WATER PUMP ALU GROUP 32/50	¥29,600
580A	T-8203-C9	WATER PUMP ALU GROUP 28/30	
581	T-8203	WATER PUMP ALU	¥11,800
590A	T-8400-C	THERMOSTAT	¥22,600
591	T-8203-RK	WATER PUMP ALU REPAIR KIT	¥2,100

PULLER & TOOLS



POS	COD	DESCR	PRICE(税抜)
600	10271	PISTON STROKE LOCKER	¥6,000
601	10272-C	CLUTCH HUB PULLER d.45	¥8,200
601	ATT-026	CLUTCH HUB PULLER d.38	¥8,100
601/B	10159	CLUTCH HUB PULLER WRENCH 12mm	¥2,480
602	10200	PISTON PIN PUNCH 14mm	¥2,700
603	S884	STARTER WHEEL LOCKING TOOL	¥7,600
604	10120	CIRCLIP ASSEMBLING TOOL 14mm	¥27,400

Cranksh.Ass./Disass. Timing control group



POS	COD	DESCR	PRICE(税抜)
650	10110A	CRANKSHAFT ASSY TOOL	¥418,000
650	ATT-074A	CRANKSHAFT ASSEMBLY TOOL (ROLLER BEARIN	¥428,000
652	10150A	CRANK-PIN BUSH 20mm	¥11,600
661	10107	CRANK-PIN PUSHER	¥3,100
663	10104A	CRANKSHAFT PLATE 125cc	¥17,800
664	10100	CRANKSH. DISASSY SUPPORT	¥46,800
668	10106	CRANKSHAFT INSERT 125cc-SUP	¥18,400
690A	10820A	TIMING CHECK DISC TaG/REEDSTER	¥26,400
691A	10828-C	TIMING CHECK DISC ADAPTER M10	¥9,100