

REEDJET KA100 2026



パーツ価格表 2026

(株)コジマブレーンファクトリー

336-0923 埼玉県さいたま市緑区大間木1666-1

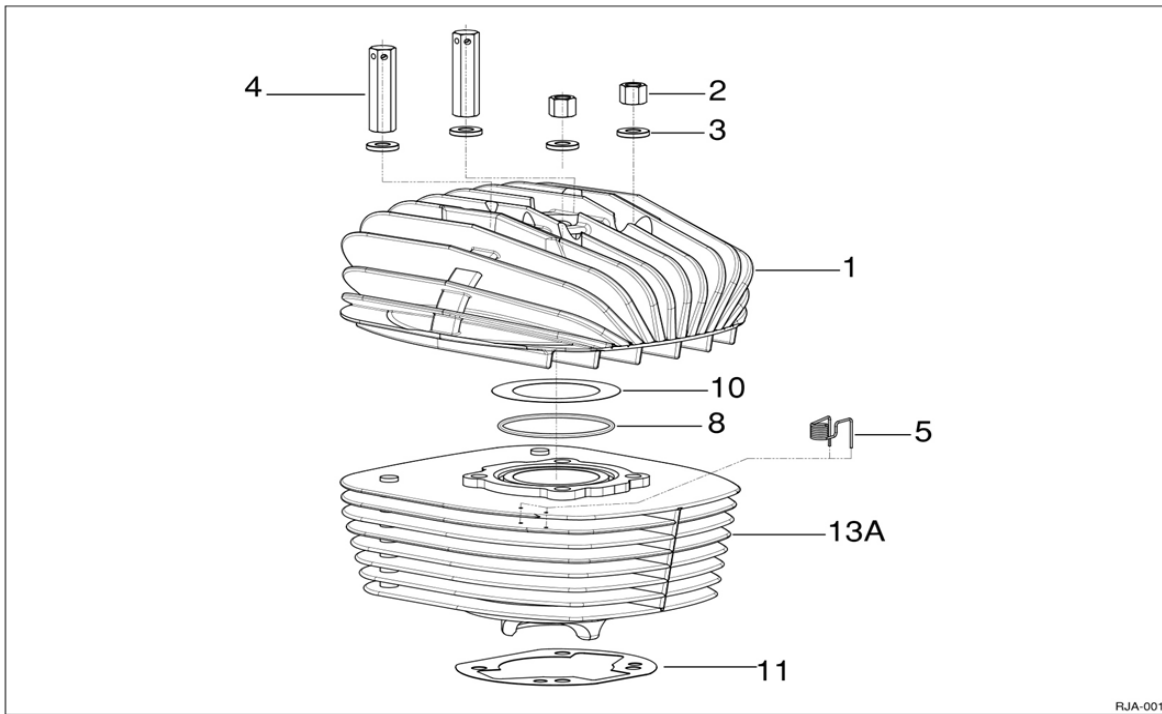
TEL048-874-8041 FAX048-874-8063

<http://www.kojima-bf.co.jp/>

2026.3.1改定

商品の仕様・価格は予告なく変更する場合がございますのでご了承願います。

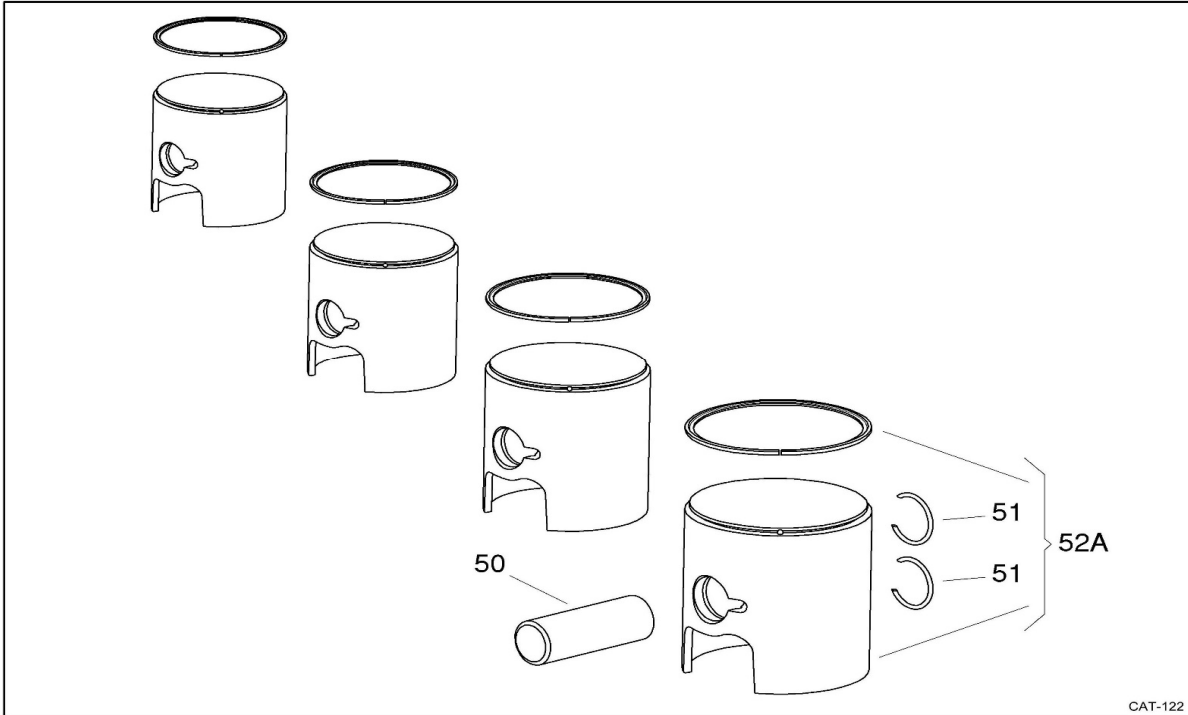
# CYLINDER & CYLINDER HEAD



RJA-001

POS	COD	DESCR	PRICE(税抜)
001	IAA-40100-2	CYLINDER HEAD REEDJET	¥48,200
002	10350	HEAD NUT	¥440
003	10635	HEAD NUT WASHER H=3mm	¥220
004	10351	NUT 8mm LONG / SEALING HOLE	¥1,900
005	10787	SPRING, SPARK PLUG GUIDE CABLE	¥1,050
008	D-37049	INT. HEAD OR	¥1,050
010	IAA-40200-0.05	COPPER HEAD GASKET 0.05	¥350
010	IAA-40200-0.10	COPPER HEAD GASKET 0.10	¥350
010	IAA-40200-0.15	COPPER HEAD GASKET 0.15	¥350
011	EBP-125045	CYL. GASKET 4/10 SUD-TOP/X30	¥440
011	EBP-125046	CYL. GASKET 2/10 SUD-TOP/X30	¥440
011	EBP-125047	CYL. GASKET 1/10 SUD-TOP/X30	¥770
013A	IAA-01000/1	CYLINDER REEDJET	¥117,000

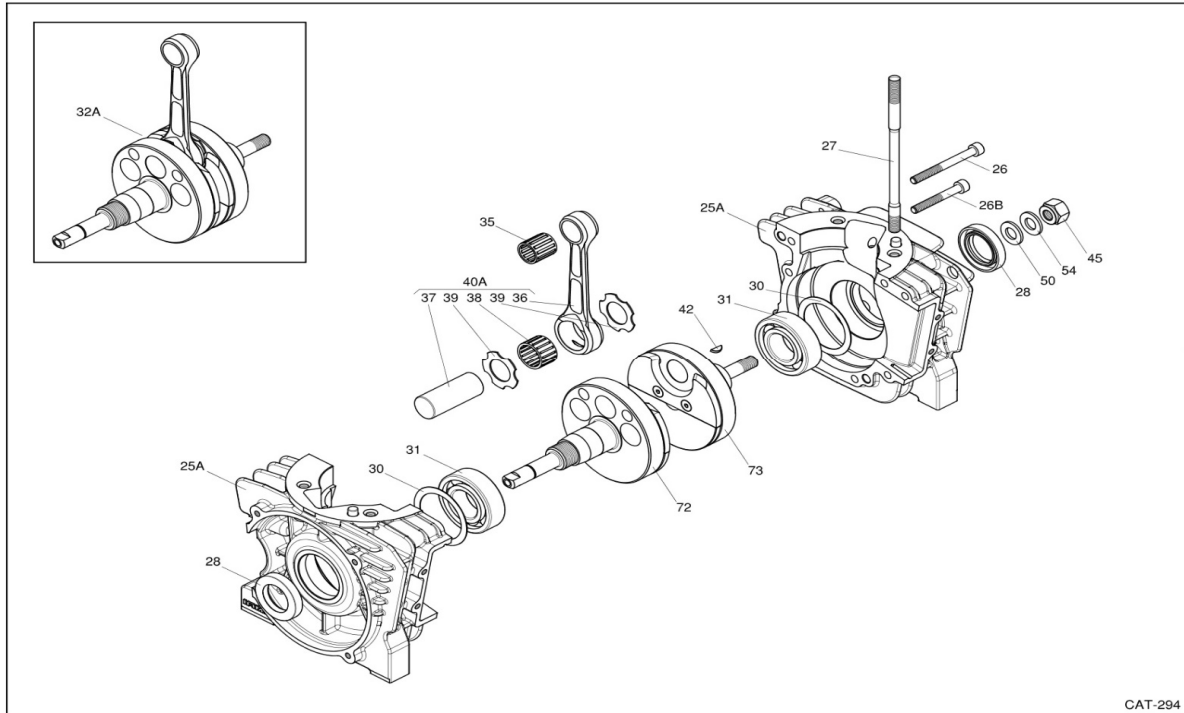
# PISTON



CAT-122

POS	COD	DESCR	PRICE(税抜)
050	B-10321-R	PISTON PIN 14x39 1^ SEL.	¥3,700
051	10343	CIRCLIP W/OUT TAILS	¥280
052A	EBP-85050-CV	PISTON 48.20g	¥20,400
052A	EBP-85055-CV	PISTON 48.22g	¥20,400
052A	EBP-85057-CV	PISTON 48.24g	¥20,400
052A	EBP-85060-CV	PISTON 48.26g	¥20,400
052A	EBP-85063-CV	PISTON 48.28g	¥20,400
052A	EBP-85065-CV	PISTON 48.30g	¥20,400
052A	EBP-85070-CV	PISTON 48.32g	¥20,400
052A	EBP-85072-CV	PISTON 48.34g	¥20,400
052A	EBP-85075-CV	PISTON 48.36g	¥20,400
052A	EBP-85080-CV	PISTON 48.40g	¥20,400
052A	EBP-85085-CV	PISTON 48.42g	¥20,400
052A	EBP-85087-CV	PISTON 48.44g	¥20,400
052A	EBP-85090-CV	PISTON 48.46g	¥20,400
052A	EBP-85093-CV	PISTON 48.48g	¥20,400
052A	EBP-85095-CV	PISTON 48.50g	¥20,400
052A	EBP-85100-CV	PISTON 48.52g	¥20,400

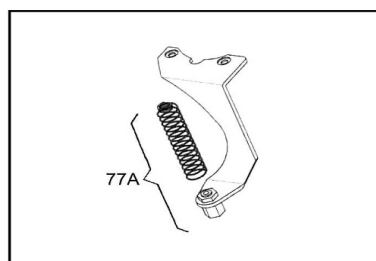
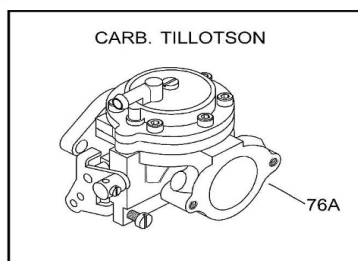
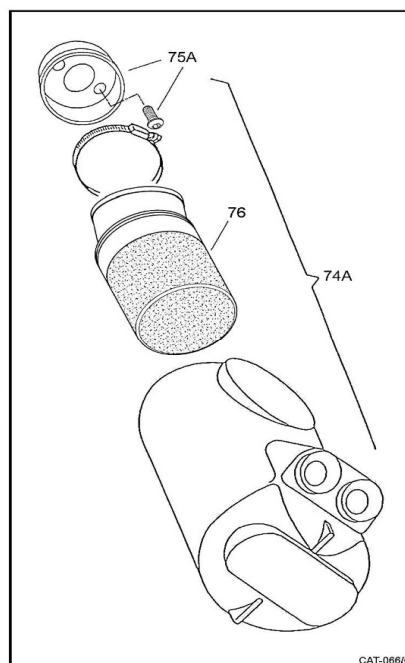
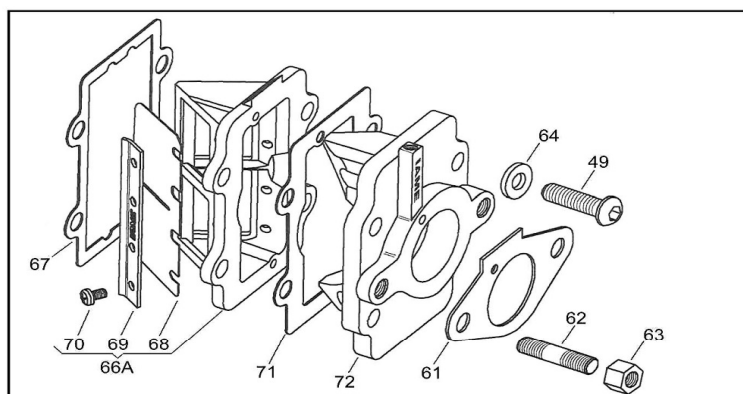
# CRANKCASE & CRANKSHAFT



CAT-294

POS	COD	DESCR	PRICE(税抜)
025A	IAB-01041/1	CRANKCASE REEDJET	¥129,000
026	00051-K	ALLEN SCREWS 6x55	¥60
026B	00049-K	ALLEN SCREWS 6x45	¥45
027	E-38345	CYLINDER TIE-ROD 8x157	¥1,600
028	X30125425A	OIL SEAL MAGN./DRIVE SIDE	¥2,200
030	30404	STEEL SHIM 0.15	¥440
030	30407	STEEL SHIM 0.10	¥440
031	35396-G	BALL BEARING 6205 TNH/C4	¥3,980
032A	IAC-00100	CRANKSHAFT REEDJET KA100	¥148,000
035	E-10440	SMALL END ROLLER CAGE	¥5,200
037	IAC-40140	CRANKPIN 20x47mm REEDJET	¥4,050
038	X30125431	BIG END CAGE	¥12,700
38	X30125431(J)B2	BIG END CAGE(J)B2	¥5,000
38	X30125431(J)B4	BIG END CAGE(J)B4	¥5,000
039	X30125436	SILVER BRONZE WASHER	¥1,280
040A	ENC50100-47	CON-ROD ASSY 102mm / PIN 47 REEDJET	¥62,000
042	10375	MAGNETO/SPROCKET SHAFT END KEY	¥440
045	00382	NUT M10x1	¥280
050	00305-K	WASHERS M10	¥50
054	00342-K	WASHERS 10,5x18x0,8	¥50
072	GBP-125386	HALFCRANK.TRANSM.S.SUDAM TaG	¥57,800
073	IAC-30141	HALFCR. IG.S. DRAG/LEOP MY '09	¥43,800

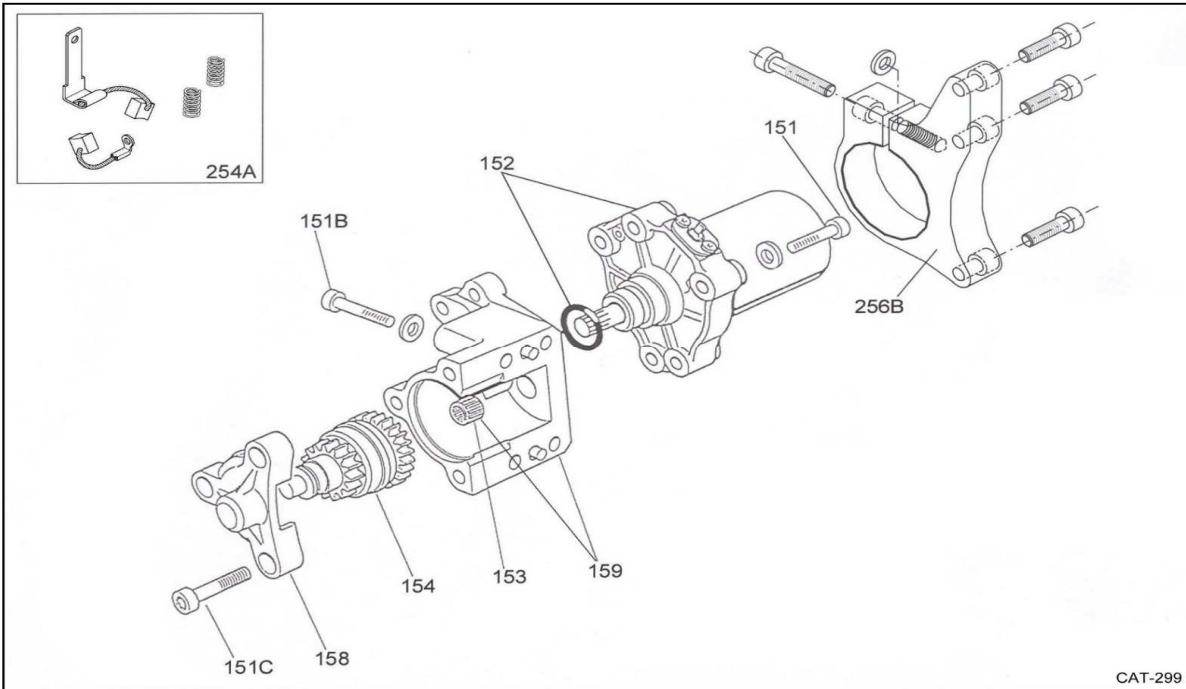
# INLET



CAT-066/C

POS	COD	DESCR	PRICE(税抜)
049	00045-K	SOCKET H. SCREWS M6X25	¥40
061	10360-B	CARBURETOR GASKET	¥440
062	10525	FIX.CARB.STUDBOLT 6x25	¥620
063	00351-K	HEXAGONAL NUT M6	¥30
064	00302-K	WASHERS M6	¥20
066A	F-11830B-C	REED GROUP CARBON	¥19,500
066A	X3011830-C	FIBERGLASS REED BLOCK	¥16,500
067	X30125810A	REED BLOCK GASKET X30	¥1,340
068	F-11840-C	CARBON REED PETALS KIT	¥7,050
068	X3011840	FIBERGLASS REED PETAL	¥2,100
069	F-11845A	REED CLIPS	¥440
070	10380-K	SCREWS 1/2 CR.HEAD 3X5	¥220
071	X30125809A	TOP CONVEYOR GASKET X30	¥1,280
072	X30125815A	CONVEYOR 28mm X30	¥13,000
074A	IAG-90000G	INLET SILENCER SOCOREM + AIR FILTER	¥14,200
076	10751-A	INLET SILENCER FILTER	¥7,800
076A	A-10917	CARBURETTOR TILL. HW33A	¥63,000
077A	B-35520-C	CARBURETOR BRACKET	¥2,800

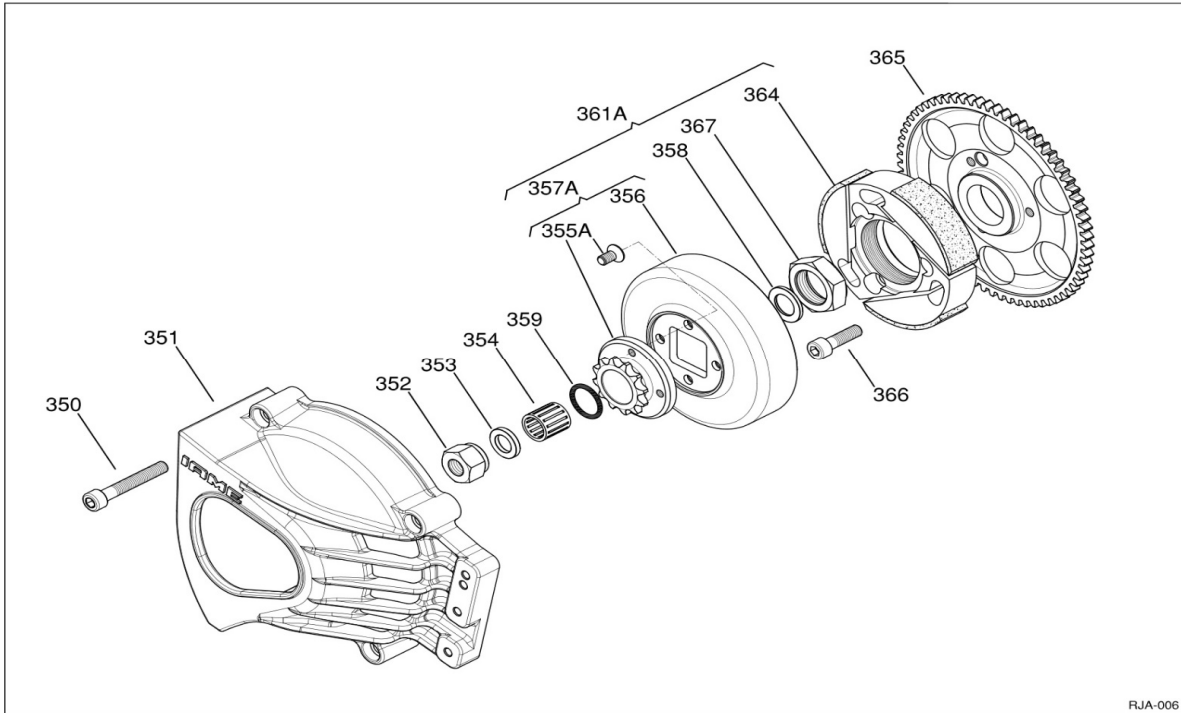
# ELECTRIC STARTER GROUP



CAT-299

POS	COD	DESCR	PRICE(税抜)
151	00047-K	ALLEN SCREWS 6x35	¥45
151B	00049-K	ALLEN SCREWS 6x45	¥45
151C	00045-K	SOCKET H. SCREWS M6X25	¥40
152	A-120851	STARTER MOTOR	¥46,000
153	A-60865	ROLLER CAGE TaG	¥1,800
154	A-120856	BENDIX	¥21,600
158	A-60870	BENDIX SUPPORT	¥2,100
159	A-120860-C	COUNTERSH.SUPPORT TaG W/ROLLER	¥20,700
254A	A-60852A-C	STARTER BRUSHES KIT	¥3,700
256B	A-125863-C	STARTER SUPPL. SUPPORT	¥7,600

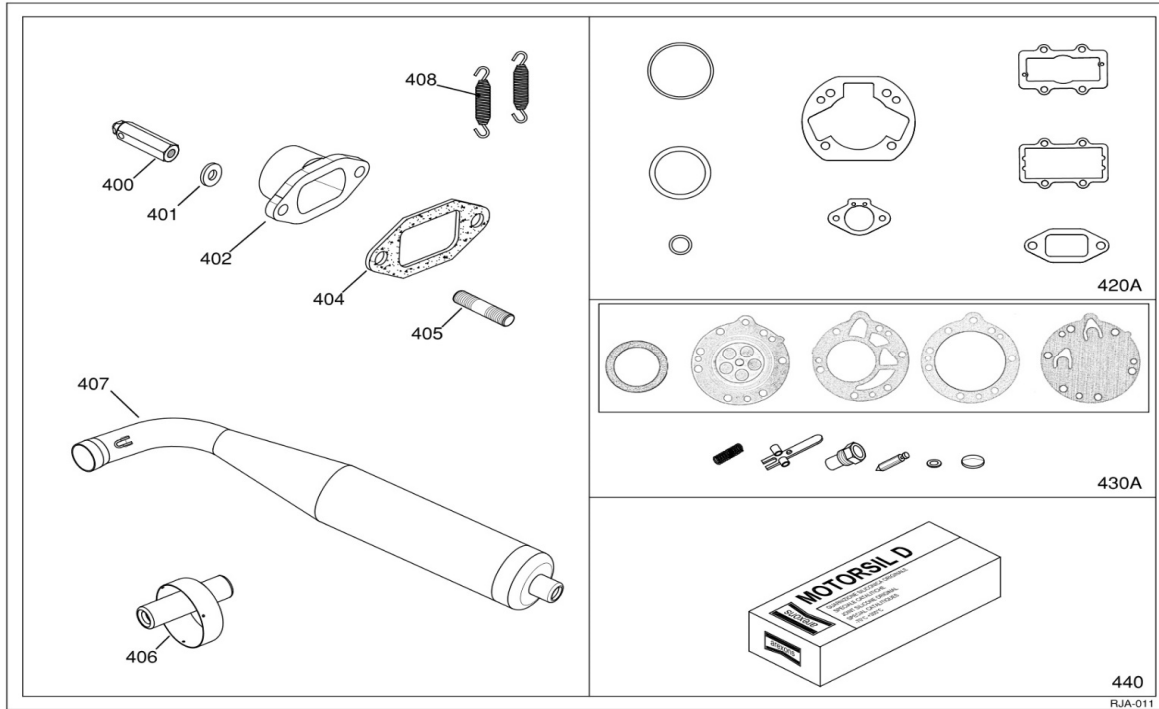
# CLUTCH GROUP



RJA-006

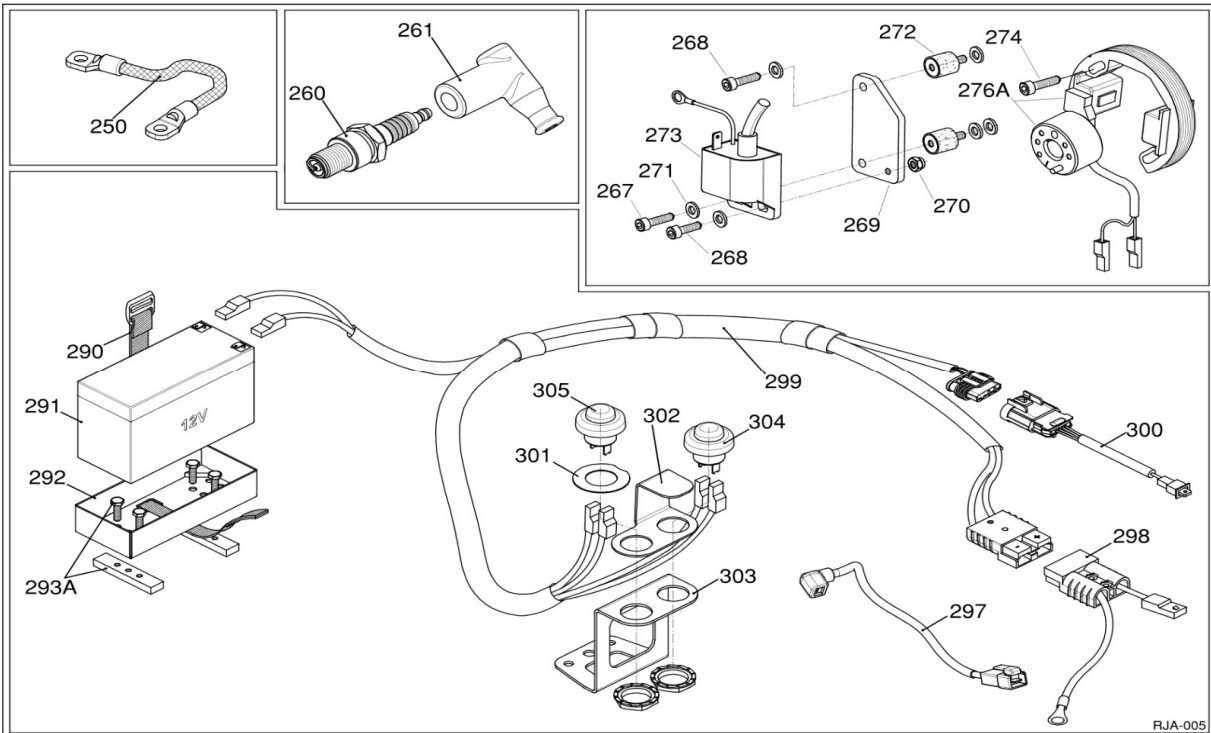
POS	COD	DESCR	PRICE(税抜)
350	00046-K	SCREWS M6x30	¥45
351	A-60595BN	CLUTCH GUARD REEDJET KA100 BLACK	¥9,300
352	D-75570	STARTER NUT TaG	¥860
353	D-75573	EXTERNAL WASHER	¥440
354	B-55598	CLUTCH ROLLER CAGE JUN-CIK	¥2,300
354	S1145/3	BUSH FOR Z9 SPROCKET	¥1,150
355A	X30125553-C	SPROCKET Z9 W/SCREWS	¥17,200
355A	X30125554-C	SPROCKET Z10 W/SCREWS	¥12,000
355A	X30125555-C	SPROCKET Z11 W/SCREWS	¥12,000
355A	X30125556-C	SPROCKET Z12 W/SCREWS	¥12,000
356	X30125550A	CLUTCH DRUM BLIND	¥12,300
357A	X30125550A-C10	CLUTCH DRUM BLIND + SPR Z10	¥25,500
357A	X30125550A-C11	CLUTCH DRUM BLIND + SPR Z11	¥25,500
357A	X30125550A-C12	CLUTCH DRUM BLIND + SPR Z12	¥25,500
358	D-75565	THRUST INT.WASHER H=1,8mm	¥620
359	A-60565	CLUTCH DRUM OR	¥260
361A	X30125841-C10	CLUTCH GROUP Z10	¥59,300
361A	X30125841-C11	CLUTCH GROUP Z11	¥59,300
361A	X30125841-C12	CLUTCH GROUP Z12	¥59,300
364	X30125841	PADDED HUB X30 '13	¥32,000
365	IAI-30000	START.WHEEL REEDJ-AU/LEOP MY09	¥20,800
366	00042T-K	SCREWS M6X16 TECNIC 150	¥95
367	IFF-21300	WHEEL LOCKING NUT	¥2,200

# EXHAUST GROUP & GASKETS SET.



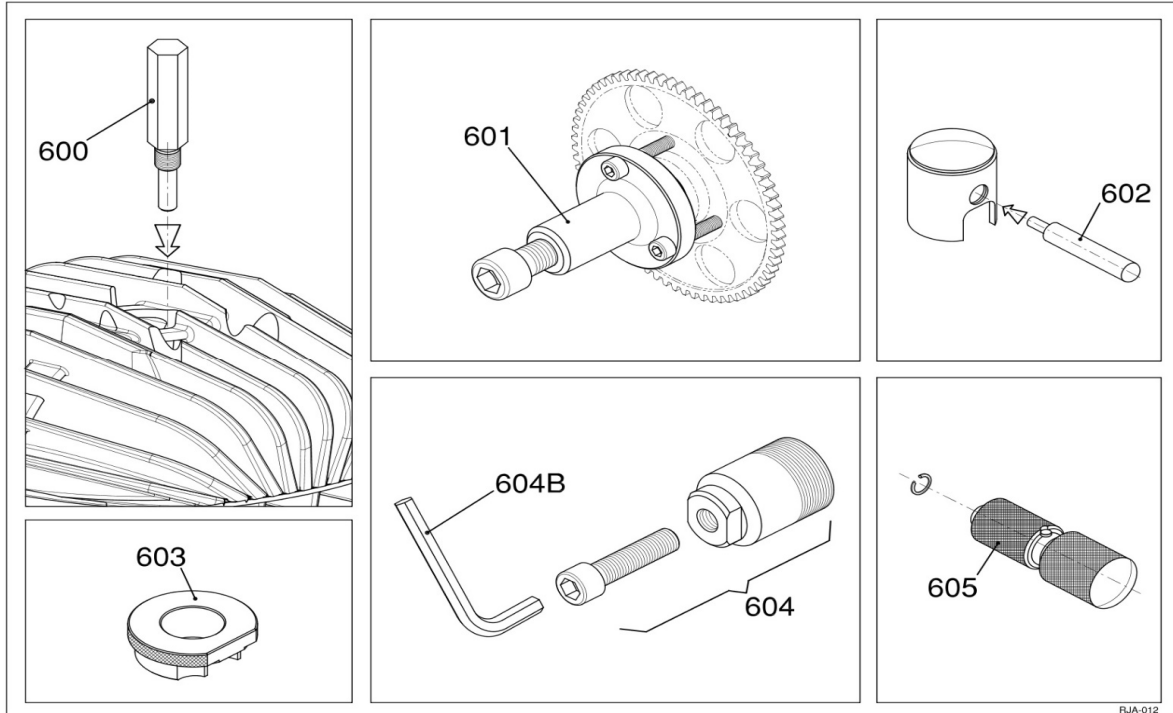
POS	COD	DESCR	PRICE(税抜)
400	IAA-20300	PIERCED EXHAUST NUT	¥1,050
401	00303-K	WASHERS M8	¥20
402	IAH-02000	EXHAUST MAN. REEDJET KA100	¥11,300
402	IAH-02011	EXHAUST MAN. REEDJET KA100 d.22mm	¥11,300
403	IAH-02012	EXHAUST MAN. REEDJET KA100 d.19mm	¥17,800
404	B-75360	EXHAUST GASKET	¥1,050
405	B-75355	EXHAUST STUDBOLT 8x36	¥1,050
406	IAH-04301	EXHAUST END	¥3,260
407	IAH-04000	EXHAUST MUFFLER REEDJET KA100	¥49,400
408	IFH-55100	FLEXIBLE SPRING KF1-2 / KZ	¥1,080
420A	IAZ-125992	GASKET SET - REEDJET AUS	¥4,740
440	00602	GASKET AREXON	¥8,300

# ELECTRONIC IGNITION



POS	COD	DESCR	PRICE(税抜)
260	10561-A	SPARK PLUG NGK BR10EG	
261	10544	PVL SPARK PLUG CAP BLACK	¥3,500
267	00032-K	SCREWS TCCE 5x20	¥45
268	00031-K	ALLEN SCREWS M5x16	¥30
269	A-61510	COIL SUPPORT	¥3,900
270	00378-K	SELF LOCKING NUT M6	¥50
271	00301-K	WASHERS M5	¥20
272	A-61520	COIL VIBRATION DAMPING	¥1,360
273	A-61955	COIL SELET. MINI 60cc BLACK	¥18,800
274	00034-K	ALLEN SCREWS 5x25	¥45
276A	A-61951A	IGNITION 2 POLES '14	¥29,100
290	A-60904A	BATTERY FIXING BELT	¥2,050
292	X30125905	BATTERY SUPPORT	¥5,000
293A	A-60907A-C	BATTERY SUPPORT CLAMP 30mm W/SCREW	¥5,000
297	IFE-05600	STARTER CABLE	¥4,400
298	IFE-05401D	STARTER MOTOR CABLE	¥4,800
299	IFE-05004	CABLES HARNESS PVL DIGITAL	¥28,800
300	IAE-06100	ADAPTER IGNITION 2 POLES	¥1,800
302	IFI-70101	SECURITY BRACKET	¥1,840
303	IFI-70001	BUTTONS BRACKET X30	¥1,850
304	IFE-05003-PS	START BUTTON	¥5,050
305	IFE-05003-PR	STOP BUTTON	¥5,050

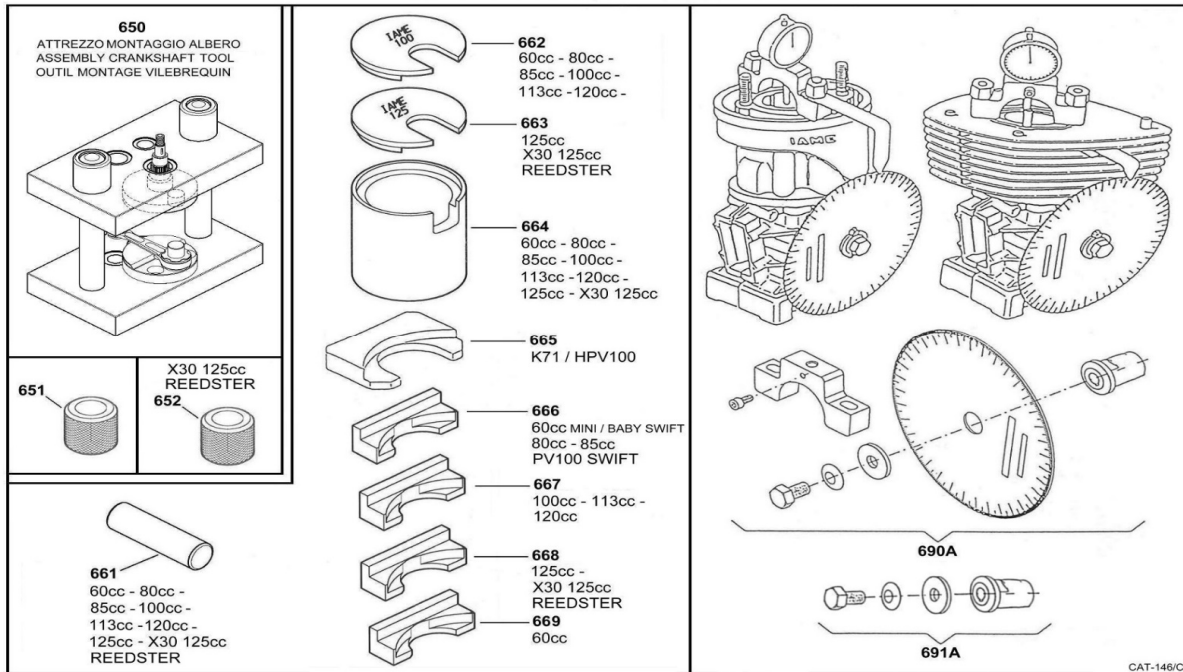
# PULLER & TOOLS



FLJA-012

POS	COD	DESCR	PRICE(税抜)
600	10271	PISTON STROKE LOCKER	¥6,700
601	ATT-039-C	STARTER GEAR PULLER X30 SHIFT.	¥15,800
602	10200	PISTON PIN PUNCH 14mm	¥3,050
603	ATT-037	S. WHEEL LOCKING TOOL KF/LE/DR	¥7,500
604	ATT-026	CLUTCH HUB PULLER d.38	¥9,000
604B	10159	CLUTCH HUB PULLER WRENCH 12mm	¥2,800
605	10120	CIRCLIP ASSEMBLING TOOL 14mm	¥30,600

# Cranksh.Ass./Disass. Timing control group



POS	COD	DESCR	PRICE(税抜)
650	10110A	CRANKSHAFT ASSY TOOL	¥465,000
652	10150A	CRANK-PIN BUSH 20mm	¥13,000
661	10107	CRANK-PIN PUSHER	¥3,500
663	10104A	CRANKSHAFT PLATE 125cc	¥19,800
664	10100	CRANKSH. DISASSY SUPPORT	¥52,000
668	10106	CRANKSHAFT INSERT 125cc-SUP	¥20,500
690A	10820A	TIMING CHECK DISC TaG/REEDSTER	¥29,800
691A	10828-C	TIMING CHECK DISC ADAPTER M10	¥10,500