



X30 2026



パーツ価格表 2026

(株)コジマブレーンファクトリー

336-0923 埼玉県さいたま市緑区大間木1666-1

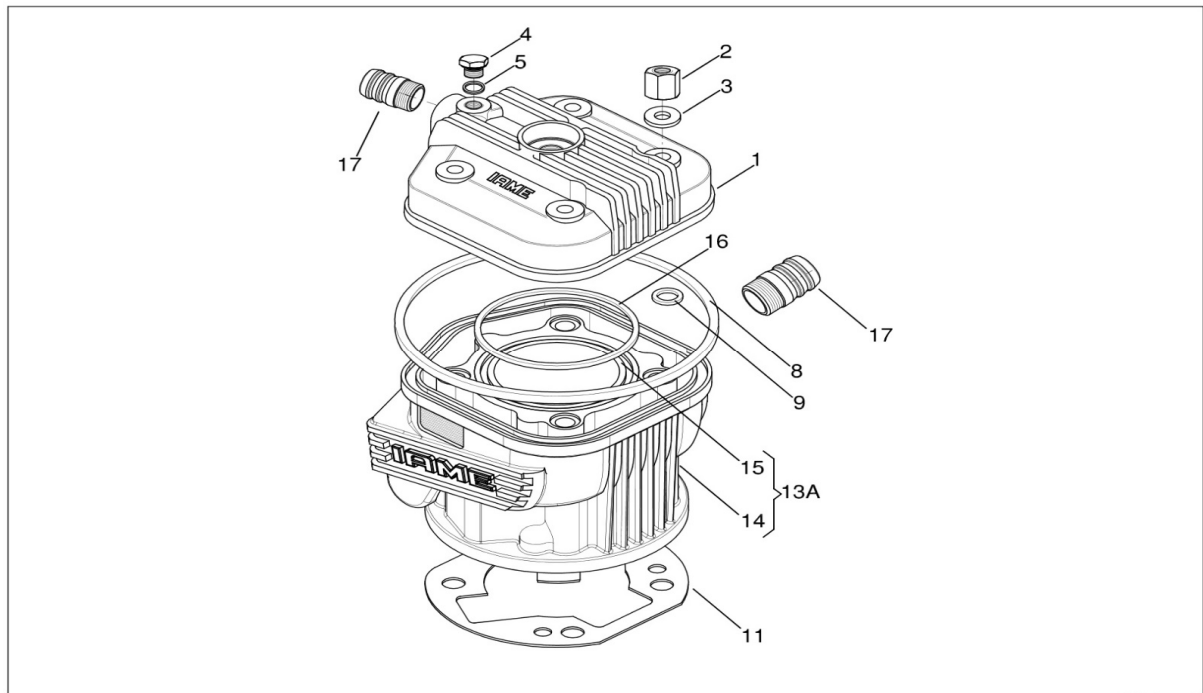
TEL048-874-8041 FAX048-874-8063

<http://www.kojima-bf.co.jp/>

2026.3.1改定

商品の仕様・価格は予告なく変更する場合がございますのでご了承願います。

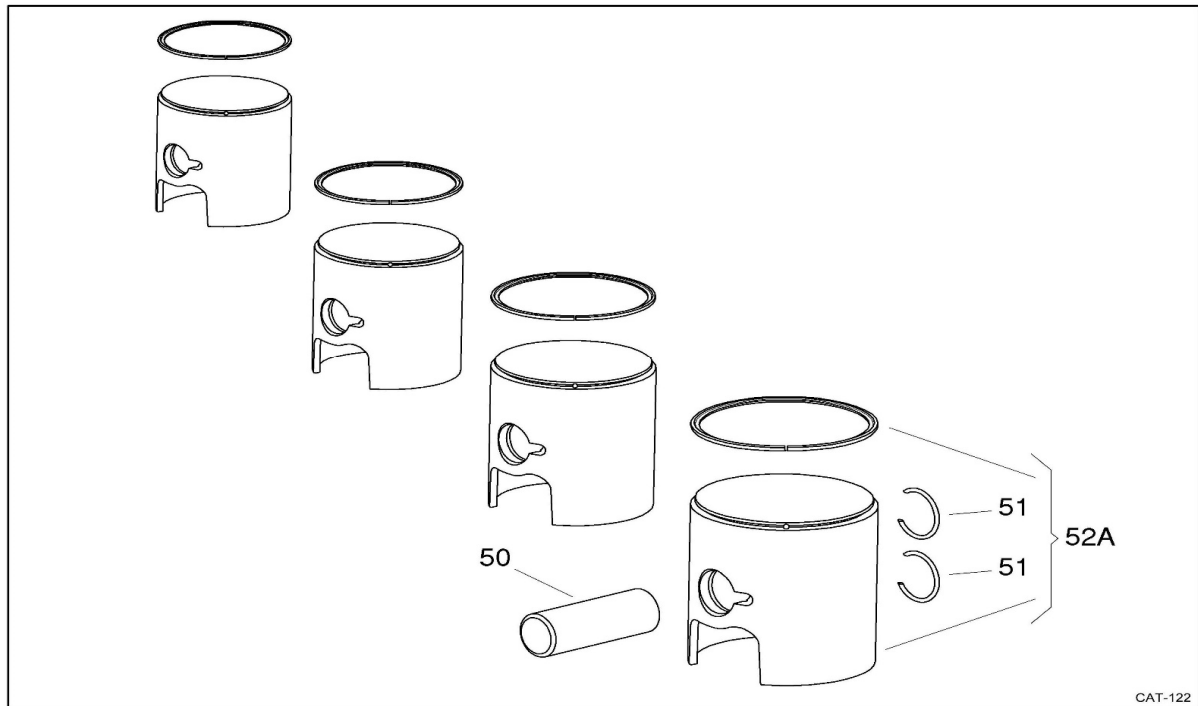
CYLINDER & CYLINDER HEAD



CAT-227 B

POS	COD	DESCR	PRICE(税抜)
01	X30125040-C	CYL. HEAD X30	¥43,200
02	10350	HEAD NUT	¥440
03	10635	HEAD NUT WASHER H=3mm	¥220
04	B-25840	TEMP. GAUGE PLUG	¥620
05	B-25845	TEMP. GAUGE PLUG GASKET	¥440
08	F-38820	EXT. HEAD OR	¥2,100
09	B-25825	OR STUD-BOLT	¥220
11	EBP-125045	CYL. GASKET 4/10 SUD-TOP/X30	¥440
11	EBP-125046	CYL. GASKET 2/10 SUD-TOP/X30	¥440
11	EBP-125047	CYL. GASKET 1/10 SUD-TOP/X30	¥770
13A	X30125033	COMPLETE CYLINDER X30	¥137,400
16	D-37049	INT. HEAD OR	¥1,050
17	IFA-40500	WATER PIPE FITTING	¥1,260

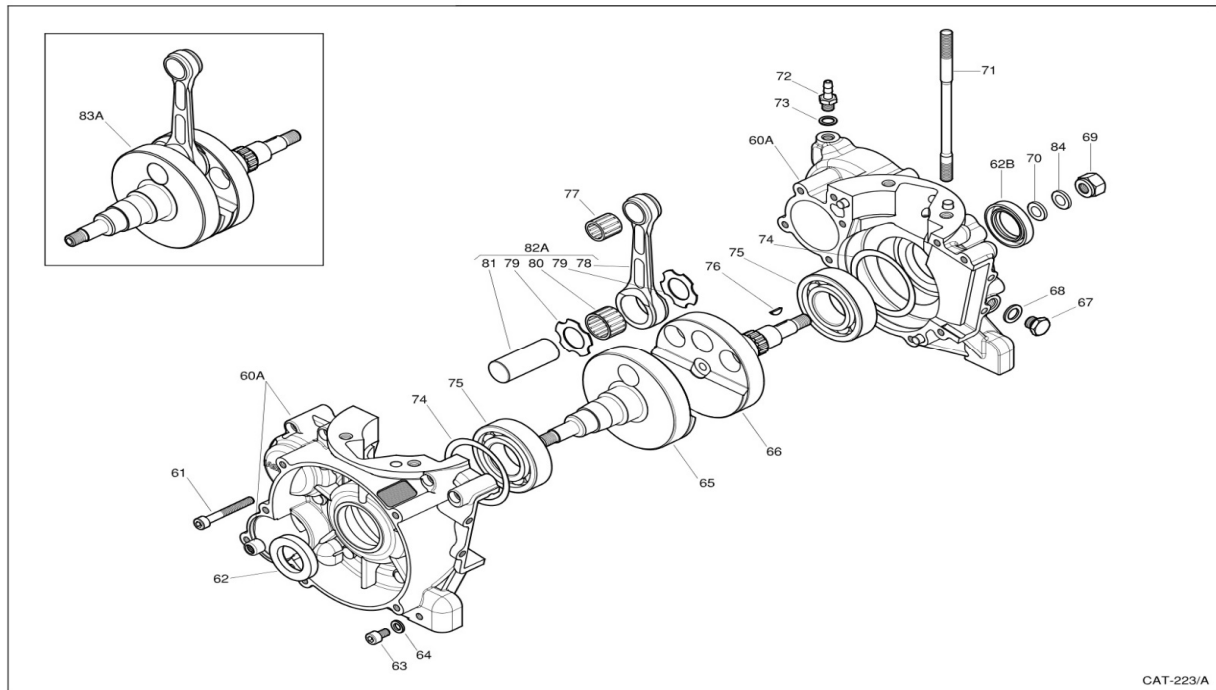
PISTON



CAT-122

POS	COD	DESCR	PRICE(税抜)
050	X30125320B	PISTON PIN 14x44 2^SEL.	¥3,700
050	X30125320R	PISTON PIN 14x44 1^SEL.	¥3,700
051	10341-A	CIRCLIP W/OUT TAILS	¥280
052A	BP-25051-CR	PISTON COMPL. PR 54.00r	¥22,100
052A	BP-25051-CV	PISTON COMPL. PR 54.00v	¥22,100
052A	BP-25056-CR	PISTON COMPL. PR 54.02r	¥22,100
052A	BP-25056-CV	PISTON COMPL. PR 54.02g	¥22,100
052A	BP-25058-CR	PISTON COMPL. PR 54.05r	¥22,100
052A	BP-25058-CV	PISTON COMPL. PR 54.05g	¥22,100
052A	BP-25059-CR	PISTON COMPL. PR 54.07r	¥22,100
052A	BP-25059-CV	PISTON COMPL. PR 54.07v	¥22,100
052A	BP-25061-CR	PISTON COMPL. PR 54.10r	¥22,100
052A	BP-25061-CV	PISTON COMPL. PR 54.10g	¥22,100
052A	BP-25066-CR	PISTON COMPL. PR 54.12r	¥22,100
052A	BP-25066-CV	PISTON COMPL. PR 54.12g	¥22,100
052A	BP-25068-CR	PISTON COMPL. PR 54.15r	¥22,100
052A	BP-25068-CV	PISTON COMPL. PR 54.15g	¥22,100
052A	BP-25069-CR	PISTON COMPL. PR 54.17r	¥22,100
052A	BP-25069-CV	PISTON COMPL. PR 54.17v	¥22,100
052A	BP-25071-CR	PISTON COMPL. PR 54.20r	¥22,100
052A	BP-25071-CV	PISTON COMPL. PR 54.20g	¥22,100
052A	BP-25076-CR	PISTON COMPL. PR 54.22r	¥22,100
052A	BP-25076-CV	PISTON COMPL. PR 54.22g	¥22,100
052A	BP-25081-CR	PISTON COMPL. PR 54.25r	¥22,100
052A	BP-25081-CV	PISTON COMPL. PR 54.25g	¥22,100
052A	BP-25086-CR	PISTON COMPL. PR 54.27r	¥22,100
052A	BP-25086-CV	PISTON COMPL. PR 54.27g	¥22,100

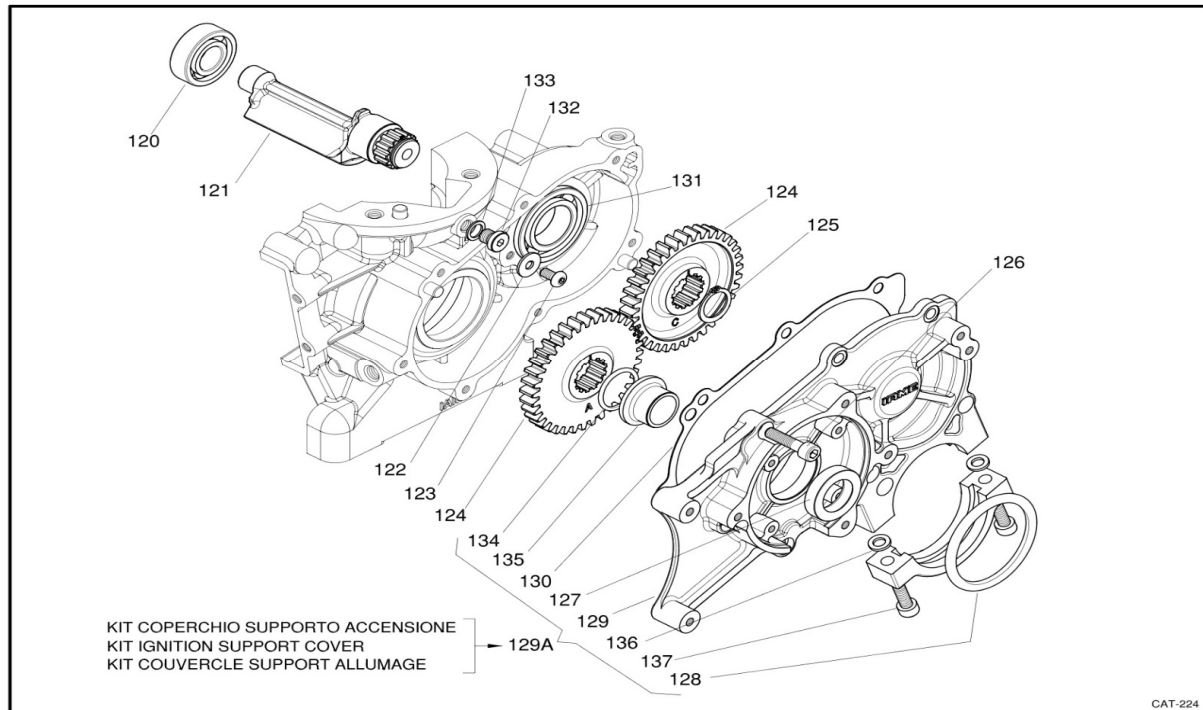
CRANKCASE & CRANKSHAFT



CAT-223/A

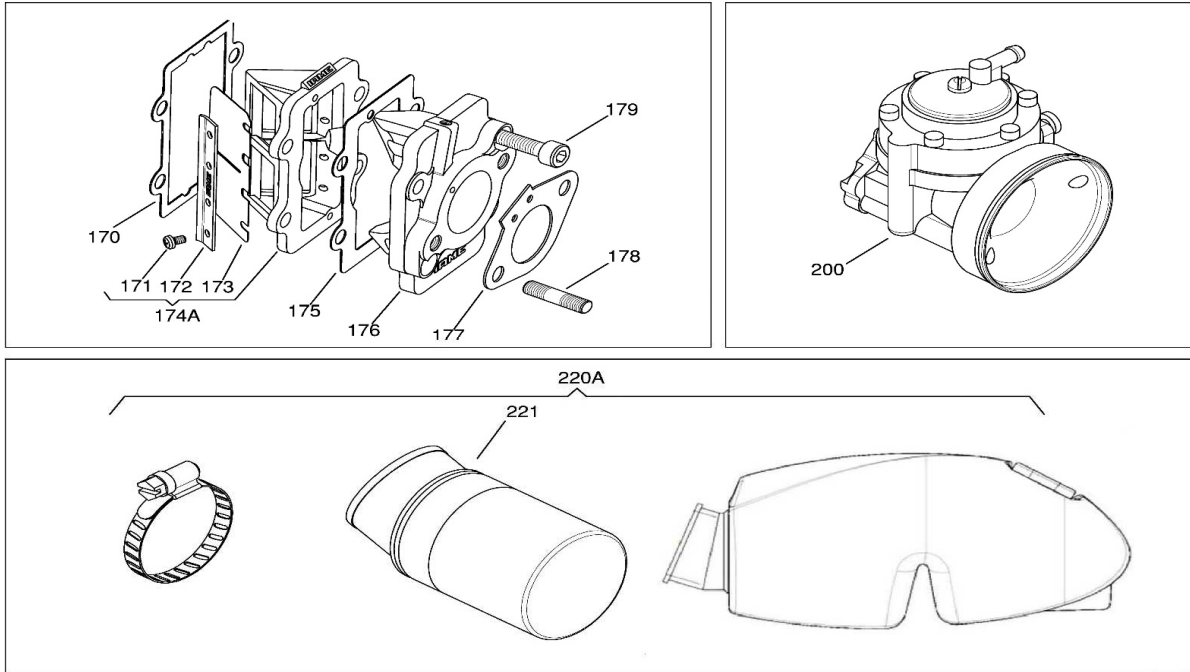
POS	COD	DESCR	PRICE(税抜)
060A	X30125485-C	CRANKCASE W/CAGE X30	¥154,000
061	00049-K	ALLEN SCREWS 6x45	¥45
062	X30125425A	OIL SEAL MAGN./DRIVE SIDE	¥2,200
063	00059-K	SCREWS TCCE M6x12	¥30
064	00302-K	WASHERS M6	¥20
065	X30125385	DR .S. H. CRANKSHAFT X30	¥65,200
066	X30125390	MAGN. S. H. CRANKSHAFT X30	¥58,200
067	B-25840	TEMP. GAUGE PLUG	¥620
068	B-25845	TEMP. GAUGE PLUG GASKET	¥440
069	00382	NUT M10x1	¥280
070	00305-K	WASHERS M10	¥50
071	B-25347	CYLINDER TIE-ROD 8x153	¥1,600
072	D-95800	PRESSURE FITTING	¥620
073	B-71805	PRESSURE Cu FITT. GASKET	¥220
074	X30125404	STEEL SHIM 0.05 X30	¥530
074	X30125405	STEEL SHIM 0.10 X30	¥440
074	X30125406	STEEL SHIM 0.15 X30	¥440
075	X30125396A	BALL BEARING SKF 6206	¥3,900
75	X30125396J	BALL BEARING KOYO 6206	¥1,200
075	X30125397	ROLLER BEARING BC1-3342B	¥16,400
076	10375	MAGNETO/SPROCKET SHAFT END KEY	¥440
077	E-10441	SMALL END ROLLER CAGE	¥5,100
079	X30125437	SILVER BRONZE WASHER TOOLED	¥1,480
080	X30125431	BIG END CAGE	¥12,700
080	X30125431(J)B2	BIG END CAGE(J)B2	¥5,000
080	X30125431(J)B4	BIG END CAGE(J)B4	¥5,000
081	X30125450	CRANKPIN 20x48.8	¥4,100
082A	ENC50100-C	CONROD ASSY 102mm / PIN 48.8 X30	¥73,000
	ENC00101	COMPLETE CRANKSHAFT X30	¥214,000
	00342-K	WASHERS 10,5x18x0,8	¥50

BALANCING SHAFT



POS	COD	DESCR	PRICE(税抜)
120	IZF-90510	BALL BEARING SKF 6202 TN9/C4H	¥2,300
121	X30125750	BALANCING SHAFT X30	¥20,800
122	00313-K	WASHERS M5x15	¥20
123	00257-K	SCREWS M5x10	¥40
124	X30125755B	BALANCING SHAFT GEAR X30	¥12,400
125	X30125758	SEEGER SHAFT GEAR	¥220
126	00042-K	SCREWS TCCE 6x16	¥40
127	X30125880	OIL SEAL TC 22x32x7	¥1,050
128	X30125853	DAMPENER OR	¥220
129	X30125875A	IGNIT. SUPP. COVER X30	¥38,900
129A	X30125875A-C	X30 IGNITION SUPPORT COVER KIT	¥44,800
130	X30125878A	COVER GASKET X30	¥1,980
131	X30125746A	BALL BEARING 6005	¥3,050
132	X30125490	PRESSURE PLUG	¥620
133	B-71805	PRESSURE Cu FITT. GASKET	¥220
134	X30125762	GASKET OR X30	¥440
135	X30125760	GEAR SPACER X30	¥4,100
136	00302-K	WASHERS M6	¥20
137	00045-K	SOCKET H. SCREWS M6X25	¥40

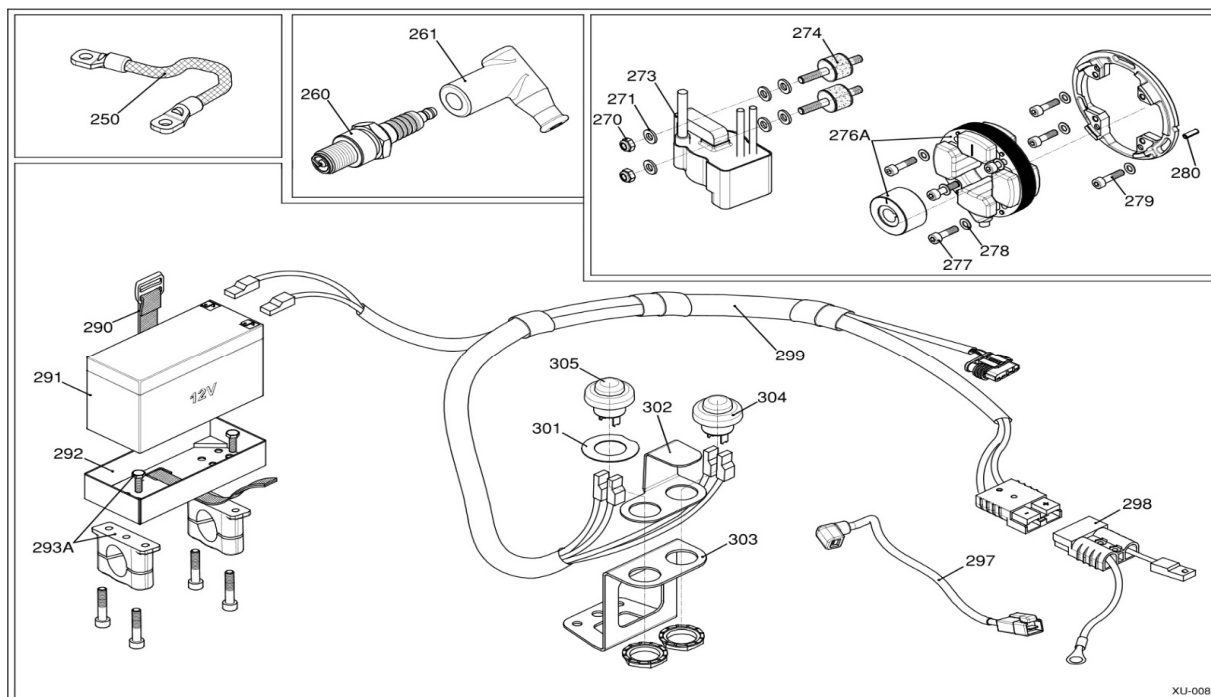
INLET



CAT- FX 232

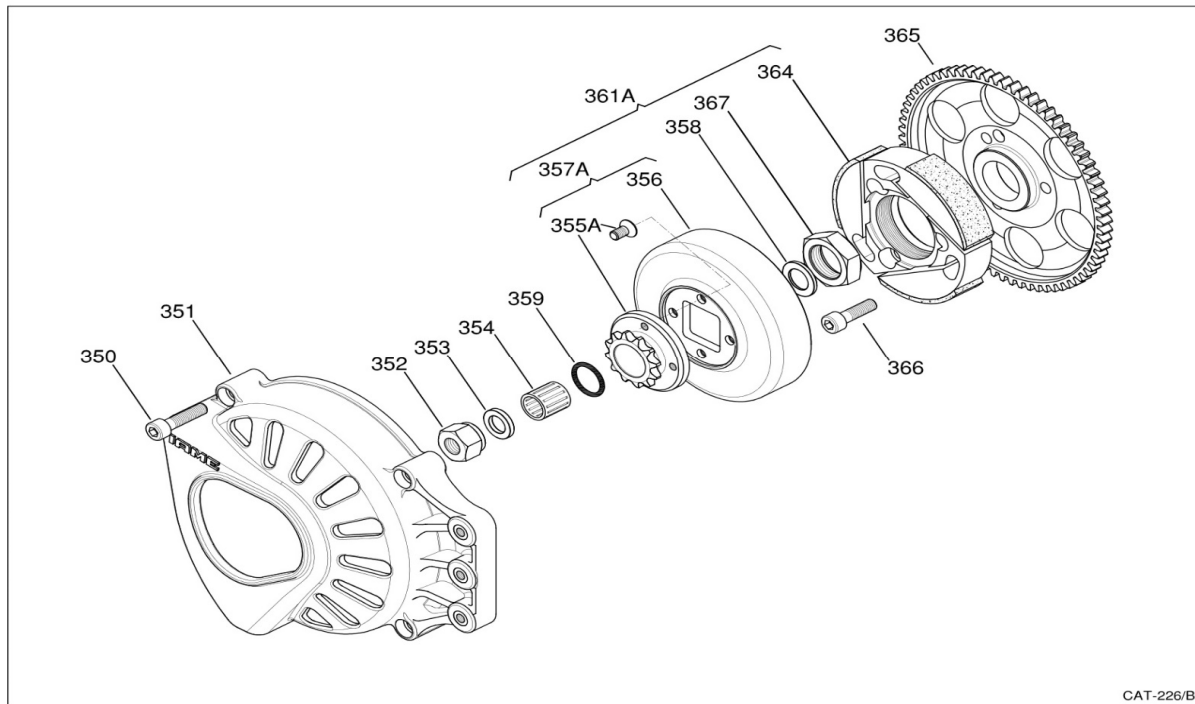
POS	COD	DESCR	PRICE(税抜)
170	X30125810A	REED BLOCK GASKET X30	¥1,340
171	10380	REEDS SCREW	¥220
172	F-11845A	REED CLIPS	¥440
173	F-11840-C	CARBON REED PETALS KIT	¥7,050
174A	F-11830B-C	REED GROUP CARBON	¥19,500
174A	X3011830R-C	REED BLOCK X30	¥16,500
175	X30125809A	TOP CONVEYOR GASKET X30	¥1,280
176	X30125816	CONVEYOR 29mm X30	¥12,900
177	X30125360A	CARB. GASKET TILLOTSON HW-27A	¥460
178	F-40525	STUDBOLT M6x30	¥620
179	00045-K	SOCKET H. SCREWS M6X25	¥40
200	10948C	CARBURETTOR TILL. HW-27A	¥70,500
220A	X30125740	INLET SILENCER IAME	¥20,100
221	10751-A	INLET SILENCER FILTER	¥7,800
222	10755	MANYFOLD CLAMP	¥750

IGNITION PLANT DIG. S



POS	COD	DESCR	PRICE(税抜)
250	B-35805-A	COIL GROUND CABLE	¥1,050
260	10561-A	SPARK PLUG NGK BR10EG	
260	10562	SPARK PLUG NGK R6254E-105	
261	10544	PVL SPARK PLUG CAP BLACK	¥3,500
270	00378-K	SELF LOCKING NUT M6	¥50
271	00302-K	WASHERS M6	¥20
273	X30125933C	COIL/ELC. BOX "C" DIG. S X30	¥60,000
274	B-35810-A	COIL DAMPENNER	¥1,360
276A	X30125953	IGNITION DIG. S X30	¥33,000
277	00032-K	SCREWS TCCE 5x20	¥45
278	00301-K	WASHERS M5	¥20
279	00037-K	SCREWS KIT TCCE 5X18	¥50
290	A-60904A	BATTERY FIXING BELT	¥2,050
292	X30125905	BATTERY SUPPORT	¥5,000
293A	A-60907A-C	BATTERY SUPPORT CLAMP 30mm W/SCREW	¥5,000
293A	A-60908A-C	BATTERY SUPPORT CLAMP 32mm W/SCREW	¥5,000
297	IFE-05600	STARTER CABLE	¥4,400
298	IFE-05401D	STARTER MOTOR CABLE	¥4,800
299	IFE-05004	CABLES HARNESS PVL DIGITAL	¥28,800
302	IFI-70101	SECURITY BRACKET	¥1,840
303	IFI-70001	BUTTONS BRACKET X30	¥1,850
304	IFE-05003-PS	START BUTTON	¥5,050
305	IFE-05003-PR	STOP BUTTON	¥5,050

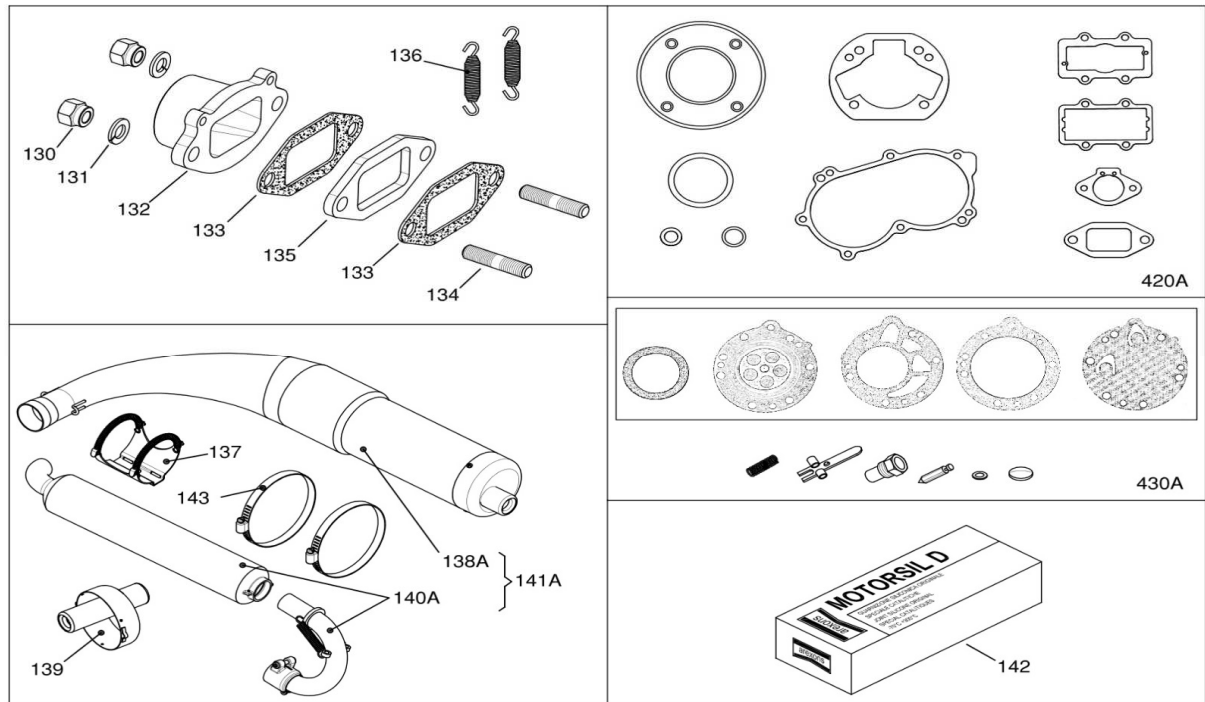
CLUTCH GROUP



CAT-226/B

POS	COD	DESCR	PRICE(税抜)
350	00045-K	SOCKET H. SCREWS M6X25	¥40
351	X30125595	CLUTCH GUARD X30	¥9,500
352	D-75570	STARTER NUT TaG	¥860
353	D-75573	EXTERNAL WASHER	¥440
354	B-55598	CLUTCH ROLLER CAGE JUN-CIK	¥2,300
355A	X30125554-C	SPROCKET Z10 W/SCREWS	¥12,000
355A	X30125555-C	SPROCKET Z11 W/SCREWS	¥12,000
355A	X30125556-C	SPROCKET Z12 W/SCREWS	¥12,000
355A	X30125557-C	SPROCKET Z13 W/SCREWS	¥12,000
356	X30125550A	CLUTCH DRUM BLIND	¥12,300
357A	X30125550A-C10	CLUTCH DRUM BLIND + SPR Z10	
357A	X30125550A-C11	CLUTCH DRUM BLIND + SPR Z11	
357A	X30125550A-C12	CLUTCH DRUM BLIND + SPR Z12	
358	D-75565	THRUST INT.WASHER H=1,8mm	¥620
359	A-60565	CLUTCH DRUM OR	¥260
361A	X30125841-C10	CLUTCH GROUP Z10	
361A	X30125841-C11	CLUTCH GROUP Z11	
361A	X30125841-C12	CLUTCH GROUP Z12	
364	X30125841	PADDED HUB X30 '13	¥32,000
365	X30125831	STARTER WHEEL Z70 X30 '13	¥21,000
366	00042T-K	SCREWS M6X16 TECNIC 150	¥95
367	IFF-21300	WHEEL LOCKING NUT	¥2,200

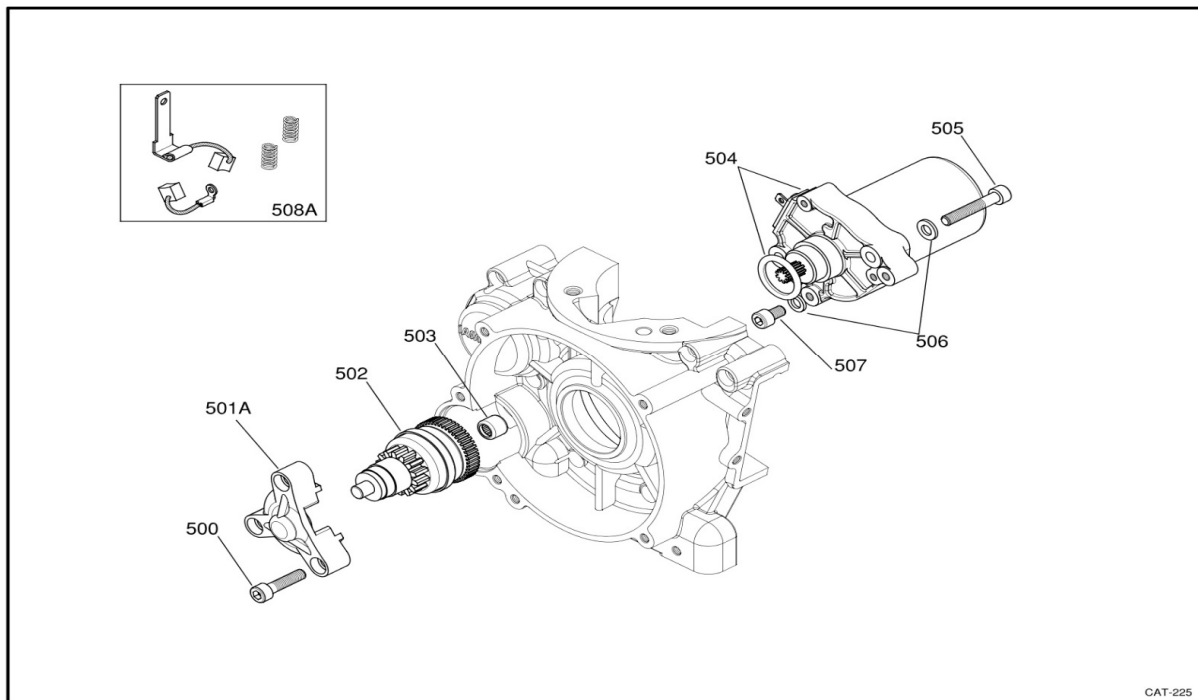
EXHAUST GROUP & GASKETS SET



CAT-FX-011

POS	COD	DESCR	PRICE(税抜)
130	B-71662	EXHAUST NUT 8mm	¥440
131	00332-K	KIT OF 20 ELAST. WASHERS M8	¥30
132	X30125370	EXHAUST MANIFOLD X30	¥17,800
132	X30125370J	EXHAUST MANIFOLD X30 22.7mm	¥17,800
133	B-75360	EXHAUST GASKET	¥1,050
134	X30125355	STUD BOLT M8x42	¥1,050
135	X30125375	EXHAUST MANIFOLD SPACER 3mm X30	¥4,000
136	IFH-55100	FLEXIBLE SPRING KF1-2 / KZ	¥1,080
138A	X30125715	ONE-PIECE EXHAUST X30	¥55,800
139	X30125720	SILENCER END X30	¥11,900
140A	X30125723-K	X30 ADDITIONAL SILENCER KIT	¥54,000
142	00602	GASKET AREXON	¥8,300
420A	X30125991	GASKETS KIT X30	¥6,200
	RK-6HW	REP. KIT CARB. TILLOTSON HW27A	¥6,500
	DG-3HW	DIAPHRAGM KIT TILL.HW19A/27A	¥3,300
	233-721P	INLET NEEDLE & SEAT SET	¥2,800

ELECTRIC STARTER GROUP



CAT-225

POS	COD	DESCR	PRICE(税抜)
500	00045-K	SOCKET H. SCREWS M6X25	¥40
501	A-60870-C	BENDIX SUPPORT KIT	¥4,300
502	A-120856	BENDIX	¥21,600
503	A-60865	ROLLER CAGE TaG	¥1,800
504	A-120851A	STARTER MOTOR	
505	00047-K	ALLEN SCREWS 6x35	¥45
506	00302-K	WASHERS M6	¥20
507	00059-K	SCREWS TCCE M6x12	¥30
508A	A-60852A-C	STARTER BRUSHES KIT	¥3,700

COOLING SYSTEM

550A
KIT n° T-8301A-C

555A
DIAMETRI - DIAMETERS
DIAMETRES
Y= 28mm : Kit n° T-8117-C
Y= 30mm : Kit n° T-8117-C1
Y= 32mm : Kit n° T-8117-C2

560A

570

580A
NOTE
Il gruppo POMPA comprende il SUPPORTO, la PULEGGIA e gli ANELLI di gomma.
The PUMP group includes CLAMP, PULLEY and rubber RINGS.
Le groupe POMPE comprend le SUPPORT, la POULIE et les COURROIES.

581

590A

SCHEMA DI MONTAGGIO
ASSEMBLING LAYOUT
SCHEMA DE MONTAGE

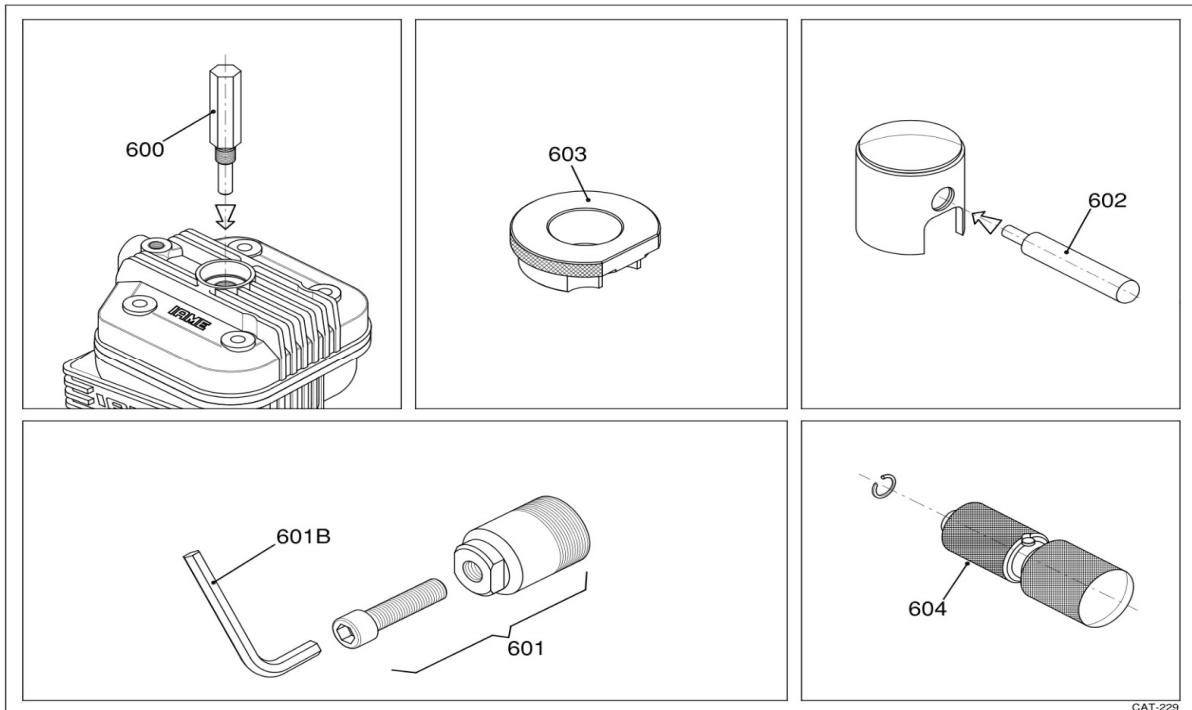
IMPIANTO PER RAFFREDDAMENTO LIQUIDO
WATERCOOLED ENGINE DEVICE
EQUIPEMENT REFROIDISSEMENT LIQUIDE

DIAMETR I - DIAMETERS - DIAMETRES
K=30mm + W=30mm : Kit n° T-8202-C
K=30mm + W=35mm : Kit n° T-8202-C1
K=30mm + W=40mm : Kit n° T-8202-C2
K=32mm + W=40mm : Kit n° T-8202-C3
K=32mm + W=35mm : Kit n° T-8202-C4
K=30mm + W=50mm : Kit n° T-8202-C5
K=32mm + W=50mm : Kit n° T-8202-C6
K=32mm + W=30mm : Kit n° T-8202-C7

CAT-244/A

POS	COD	DESCR	PRICE(税抜)
550A	T-8313B-C	HOSES COMPLETE KIT BLUE	¥12,800
555A	T-8117-C	RADIATOR CLAMP KIT mm 28	¥5,400
555A	T-8117-C1	RADIATOR CLAMP KIT mm 30	¥5,400
555A	T-8117-C2	RADIATOR CLAMP KIT mm 32	¥5,400
560A	T-8135-C	RADIATOR 410*186mm SUPPORT KIT	¥16,900
560A	T-8136-C	RADIATOR 410*230mm SUPPORT KIT	¥16,900
570	T-8000B	RADIATOR 410*186mm	¥54,000
570	T-8001	RADIATOR 410*230mm	¥66,000
580A	T-8202-C7	PUMP GROUP mm 32/30	
580A	T-8203-C	WATER PUMP ALU GROUP 30/30	¥33,000
580A	T-8203-C2	WATER PUMP ALU GROUP 30/40	¥33,000
580A	T-8203-C3	WATER PUMP ALU GROUP 32/40	¥33,000
580A	T-8203-C5	WATER PUMP ALU GROUP 30/50	¥33,000
580A	T-8203-C6	WATER PUMP ALU GROUP 32/50	¥33,000
580A	T-8203-C9	WATER PUMP ALU GROUP 28/30	¥33,000
581	T-8203	WATER PUMP ALU	¥13,000
590A	T-8400-C	THERMOSTAT	¥26,000
591	T-8203-RK	WATER PUMP ALU REPAIR KIT	¥2,300
	T-8218	QUICK RELEASE WATER PUMP BELT	¥940

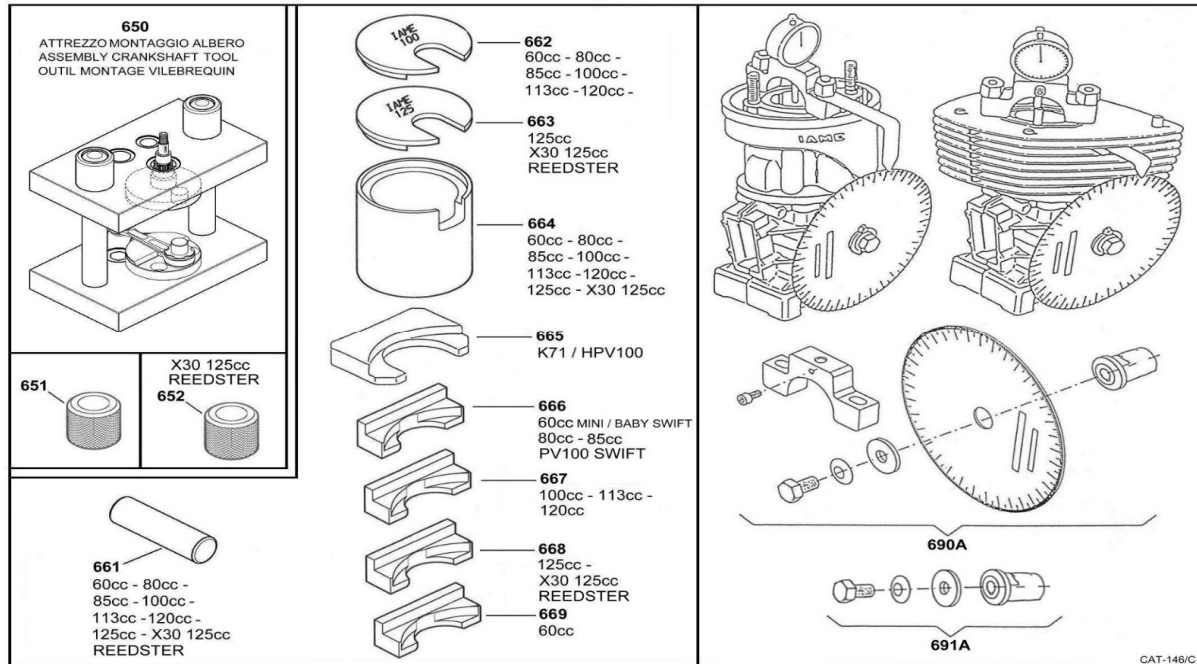
PULLER & TOOLS



CAT-229

POS	COD	DESCR	PRICE(税抜)
600	10271	PISTON STROKE LOCKER	¥6,700
601	10272-C	CLUTCH HUB PULLER d.45	¥9,200
601	ATT-026	CLUTCH HUB PULLER d.38	¥9,000
601/B	10159	CLUTCH HUB PULLER WRENCH 12mm	¥2,800
602	10200	PISTON PIN PUNCH 14mm	¥3,050
603	S884	STARTER WHEEL LOCKING TOOL	¥8,500
604	10120	CIRCLIP ASSEMBLING TOOL 14mm	¥30,600
605	ATT-048X	BEARING RING PULLER 30mm	¥66,800

Cranksh.Ass./Disass. Timing control group



POS	COD	DESCR	PRICE(税抜)
650	10110A	CRANKSHAFT ASSY TOOL	¥465,000
650	ATT-074A	CRANKSHAFT ASSY TOOL (ROLLER BG)	¥480,000
652	10150A	CRANK-PIN BUSH 20mm	¥13,000
661	10107	CRANK-PIN PUSHER	¥3,500
663	10104A	CRANKSHAFT PLATE 125cc	¥19,800
664	10100	CRANKSH. DISASSY SUPPORT	¥52,000
668	10106	CRANKSHAFT INSERT 125cc-SUP	¥20,500
690A	10820A	TIMING CHECK DISC TaG/REEDSTER	¥29,800
691A	10828-C	TIMING CHECK DISC ADAPTER M10	¥10,500