

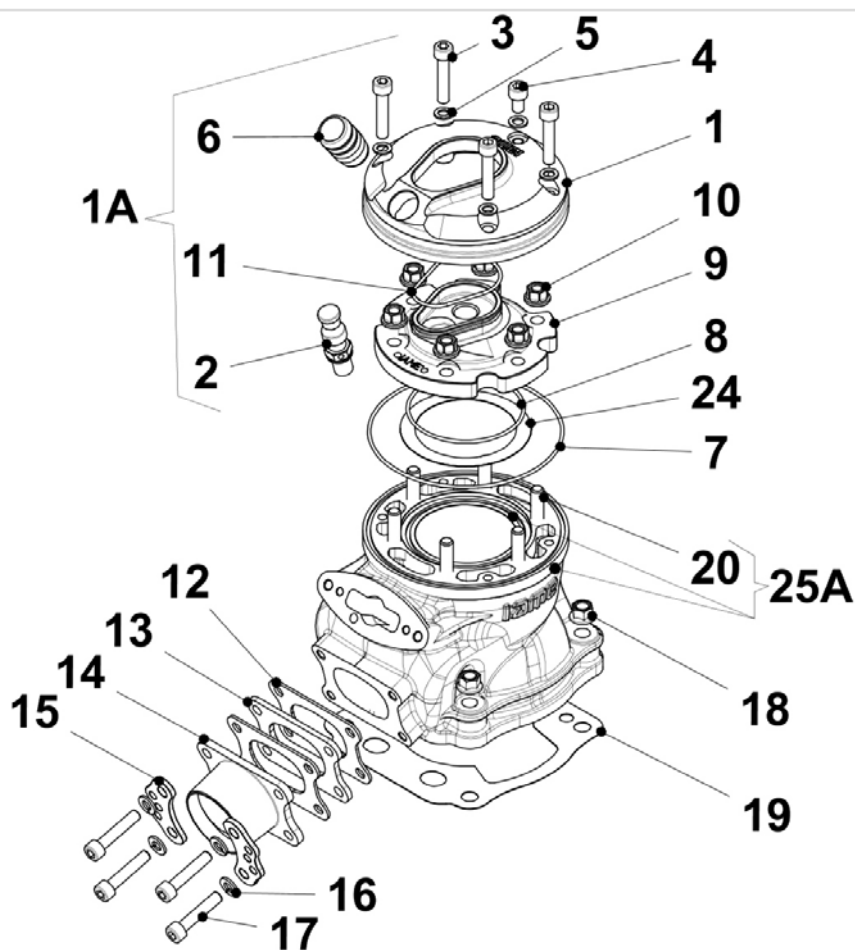
IAME

The heart of kart

IAME - REEDSTER V - OK 040-ES-66 MY'19



CYLINDER & CYLINDER HEAD

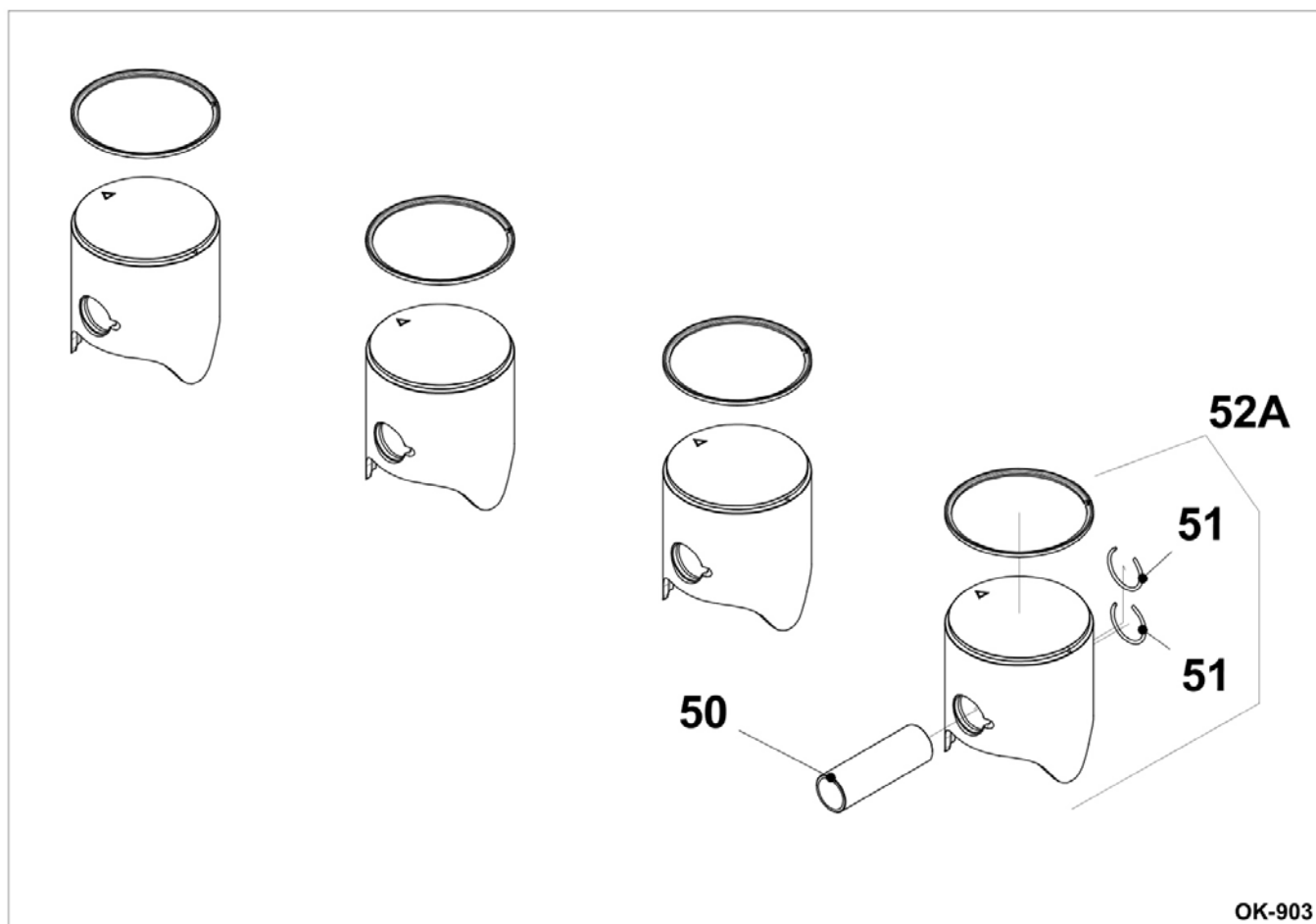


OK-901

RICAMBI / SPARES

POS	COD	DESCR	PRICE
001A	F2NA41000-C	CYLINDER HEAD COVER REEDSTER V OK/OKJ COMPLETE	
01	F2NA41000	CYLINDER HEAD COVER REEDSTER V OK/OKJ	
02	F1NA44000	DECOMPRESSOR OK/OKJ	
03	00072-K	KIT 20 SCREWS TCCE M 6x30 INOX	
04	00069-K	KIT 20 SCREWS TCCE M 6X10 INOX	
05	00345-K	KIT 20 M6 Cu WASHERS	
06	F2NA40500	WATER PIPE FITTING	
07	F2NA40300	OR 2400 101.32x1.78 VITON	
08	IFA-42200	HEAD GASKET INT. OR REEDST/KZ	
09	F2NA40100	HEAD DOME REEDSTER V OK	
10	Z2NA20300	HEAD NUT M7 INOX	
11	F1NA42000	OR HEAD DOME/HEAD COVER	
12	F2NA20500	EXHAUST GASKET OK '19	
13	F2NH20500	EXHAUST SPACER REEDSTER V OK	
14	F2NH02000	EXHAUST MANIFOLD REEDSTER V OK	
15	F1NH20600	SPRINGS BRACKET	
16	00331-K	KIT 20 EXHAUST WASHERS M6	
17	00042-K	KIT 20 SCREWS TCCE 6x16	
18	F2NA20300	FLANGED NUT M8	
19	Z2NB10400-0.05	CYLINDER BASE GASKET KZ 5/100	
19	Z2NB10400-0.1	CYLINDER BASE GASKET KZ 1/10	
19	Z2NB10400-0.2	CYLINDER BASE GASKET KZ 2/10	
19	Z2NB10400-0.3	CYLINDER BASE GASKET KZ 3/10	
19	Z2NB10400-0.4	CYLINDER BASE GASKET KZ 4/10	
19	Z2NB10400-0.5	CYLINDER BASE GASKET KZ 5/10	
20	Z2NA20400	STUD BOLT INOX M 7 X 39	
24	IFA-40200-0.025	HEAD GASKET CU 0.025 REED/KZ	
24	IFA-40200-0.05	HEAD GASKET CU 0.05 REED/KZ	
24	IFA-40200-0.20	HEAD GASKET CU 0.20 REED/KZ	
25A	F2NA01000	CYLINDER REEDSTER V OK	

PISTON

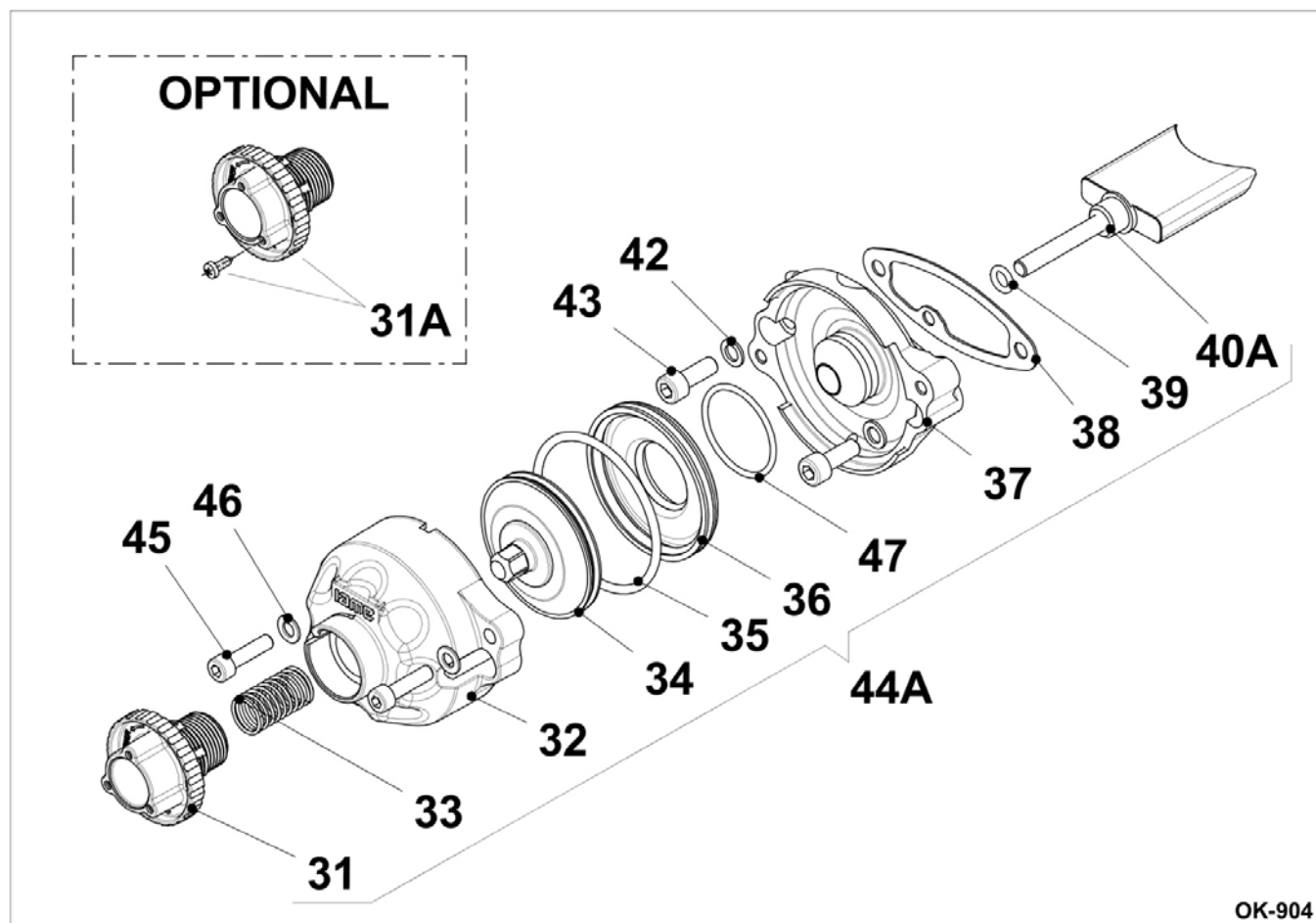


OK-903

RICAMBI / SPARES

POS	COD	DESCR	PRICE
050	IFA-20950	PISTON PIN 15x45	
051	IFA-21050	CIRCLIP REEDSTER/KZ	
052A	F1NA20602-53.77CV	PISTON OK 53.77V	
052A	F1NA20602-53.79CV	PISTON OK 53.79V	
052A	F1NA20602-53.81CV	PISTON OK 53.81V	
052A	F1NA20602-53.83CV	PISTON OK 53.83V	
052A	F1NA20602-53.85CV	PISTON OK 53.85V	
052A	F1NA20602-53.87CV	PISTON OK 53.87V	
052A	F1NA20602-53.89CV	PISTON OK 53.89V	
052A	F1NA20602-53.91CV	PISTON OK 53.91V	
052A	F1NA20602-53.93CV	PISTON OK 53.93V	

EXHAUST VALVE

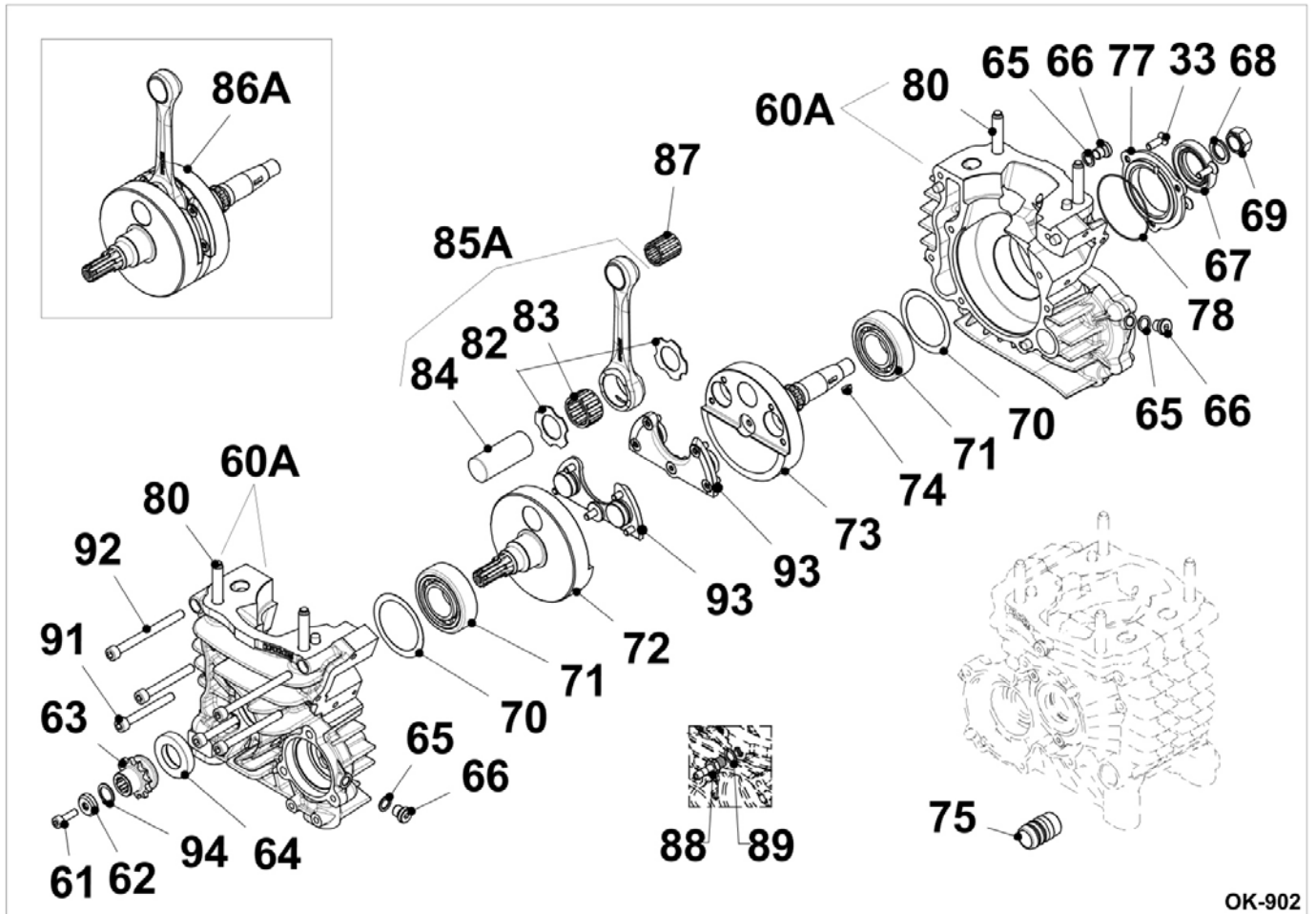


OK-904

RICAMBI / SPARES

POS	COD	DESCR	PRICE
031	IFA-81002A	VALVE ADJUSTING KNOB OK '19	
032	IFA-80902A	VALVE COVER '19	
033	F2NA80802	EXHAUST VALVE SPRING REEDSTER V OK '19	
034	IFA-80601-C	'10 EXHAUST VALVE PISTONw/magn	
035	IFA-80702	AN. SPRING F1/2/4 REED/XTR'09	
036	IFA-80501	DIAPHRAGM REEDSTER, GREEN	
037	F2NA80400-C	EXHAUST VALVE BODY OK '19	
038	F2NA81100	EXHAUST VALVE GASKET OK '19	
039	F1NA82101	OR 6x2 METRIC NBR 70Sh SLIDE VALVE END	
040A	F1NA80100	SLIDE VALVE OK	
042	00345-K	KIT 20 M6 Cu WASHERS	
043	00044-K	KIT 20 ALLEN SCR. CYL. H. 6x20	
044A	F2NA08000	EXHAUST VALVE REEDSTER V OK COMPLETE	
045	00032-K	KIT OF 20 SCREWS TCCE 5x20	
046	00301-K	KIT 20 WASHERS M5	
047	IFA-81800	EXHAUST VALVE DIAPHRAGM O'RING	

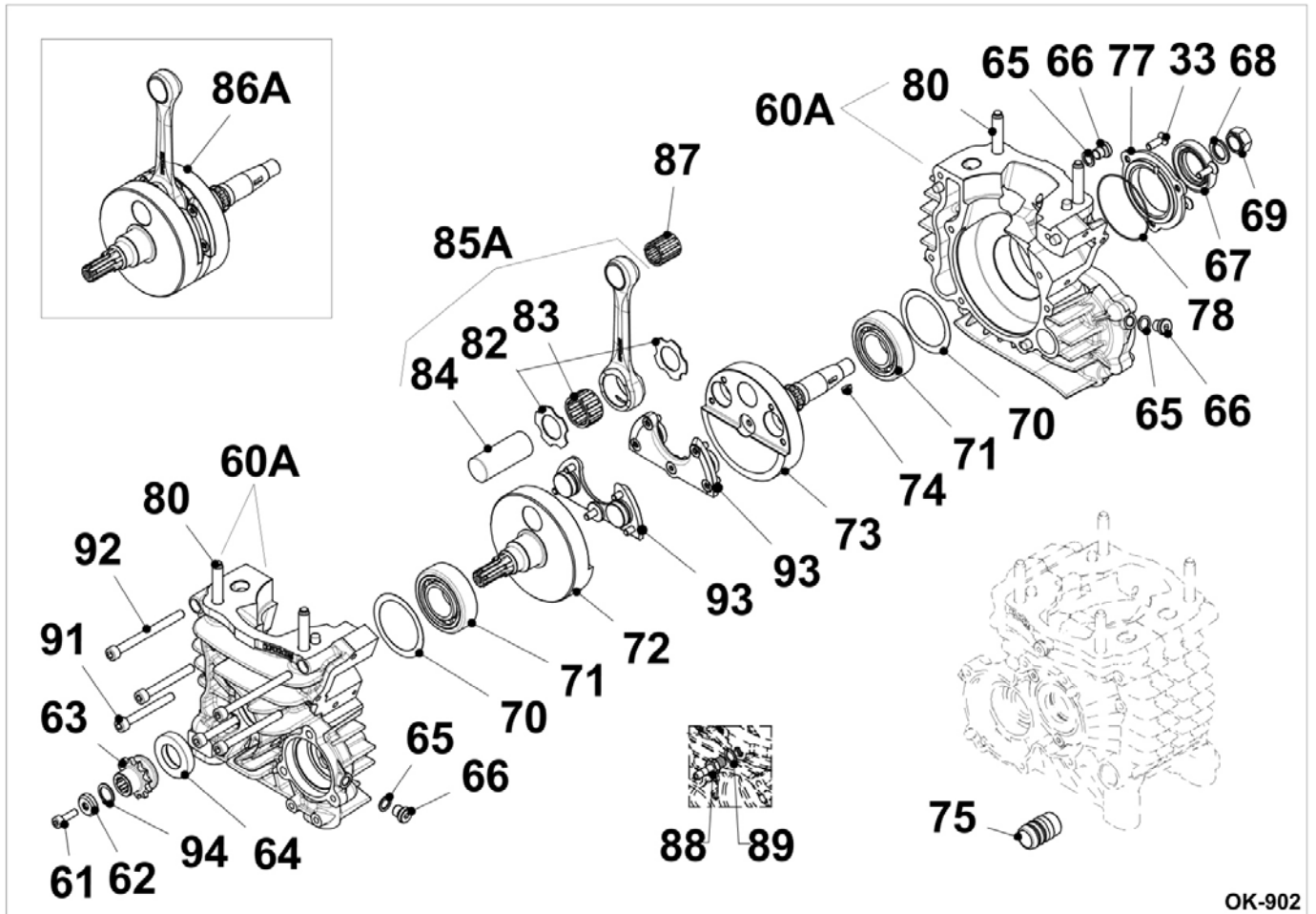
CRANCKCASE



RICAMBI / SPARES

POS	COD	DESCR	PRICE
033	00113-K	KIT 20 SCREWS TS TORX M5x16	
060A	F2NB01000	CRANKCASE REEDSTER V OK	
061	00031-K	KIT OF 20 ALLEN SCREWS M5x16	
062	F-100536	SHOULDER SHIM SPROCKET TOP	
063	F1NF10100	SPROCKET OK/OKJ Z11	
063	F1NF10101	SPROCKET OK/OKJ Z12	
063	F1NF10102	SPROCKET OK/OKJ Z13	
063	F1NF10103	SPROCKET OK/OKJ Z9	
063	F1NF10104	SPROCKET OK/OKJ Z14	
063	F1NF10105	SPROCKET OK/OKJ Z10	
064	E-10426	OIL SEAL FPJ 20x35x7	
065	F1NG60000	OIL BREATHER WASHER	
066	F1NG50000	OIL BREATHER	
067	X30125425A	OIL SEAL MAGN./DRIVE SIDE	
068	D-75565	THRUST INT. WASHER H=1,8mm	
069	10535	SPROCKET AND MAGNETO NUT	
070	30404	STEEL SHIM 0.15	
070	30407	STEEL SHIM 0.10	
071	35398A	ROLLER BEARING 6205 BC1-1442D	
072	F2NC20100	HALF CRANKSHAFT TRANS. SIDE REEDSTER V OK '19	
073	F2NC30100	HALF CRANKSHAFT IGNITION SIDE REEDSTER V OK '19	
074	11715	SHAFT END/SPROCKET/MAGNETO KEY	
075	IFA-40500	WATER PIPE FITTING	
077	F1NC80500	OIL SEAL SUPPORT	
078	F1NB42000	OR OIL SEAL SUPPORT	
080	IFA-20200	STUDBOLT M8x51	
082	X30125436	SILVER BRONZE WASHER	
083	X30125431	BIG END CAGE	
084	S1699/1	CRANK PIN ASSE ACCOPPIAMENTO 20x48.8	
085A	F1NC50100-C	CONROD 104mm OK/OKJ	

CRANCKCASE

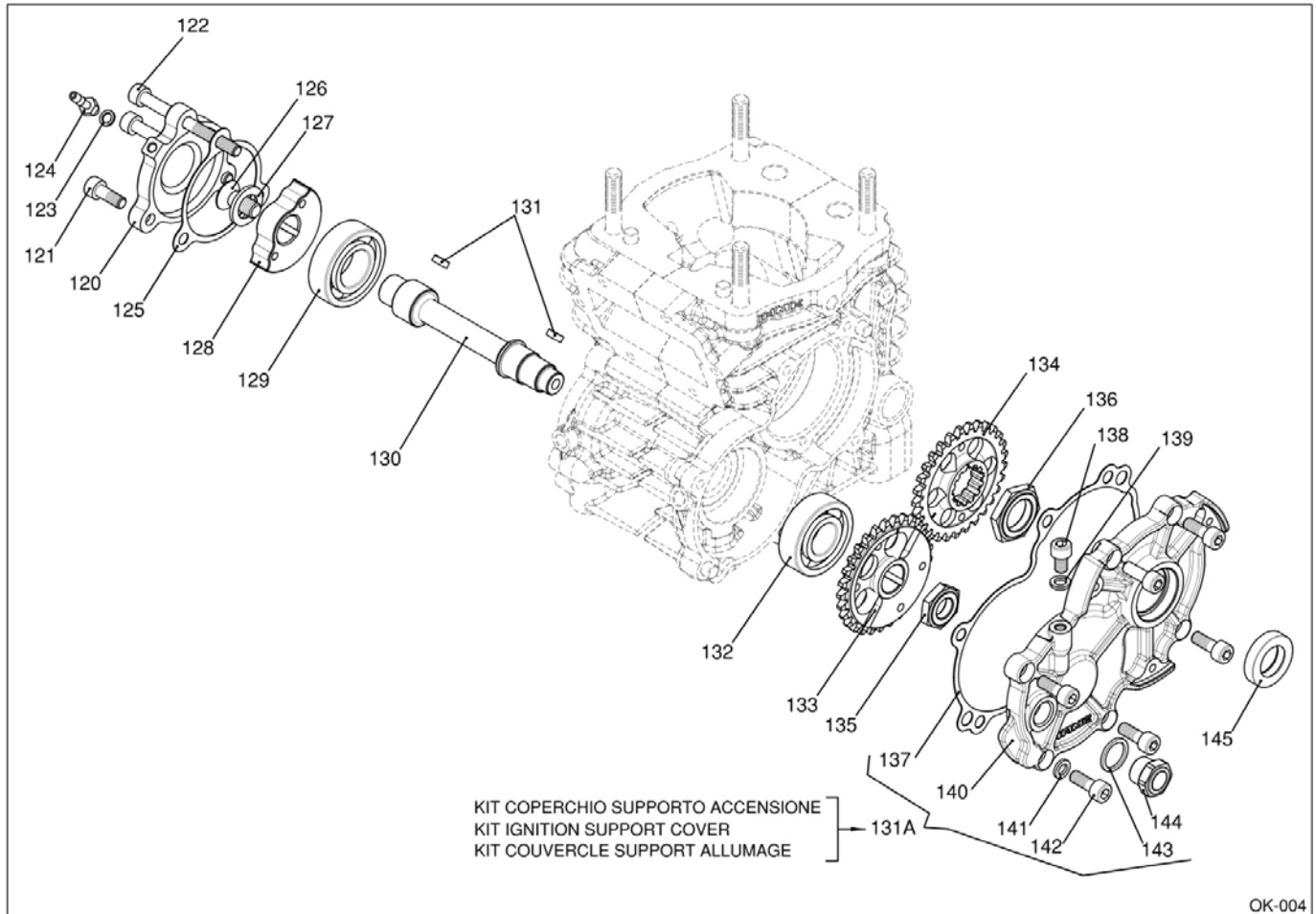


OK-902

RICAMBI / SPARES

POS	COD	DESCR	PRICE
086A	F2NC00100	CRANKSHAFT REEDSTER V OK '19	
087	IFC-50350	SMALL END ROLLER CAGE	
091	00050-K	KIT OF 20 ALLEN SCREWS 6x50	
092	00053-K	20 SCREWS KIT M6X65	
093	F2NC30200	STUFFER OK/OKJ D. 89mm	
094	F2NC90000	SEEGER A 13 UNI 7435	

COUNTERSHAFT ASSY

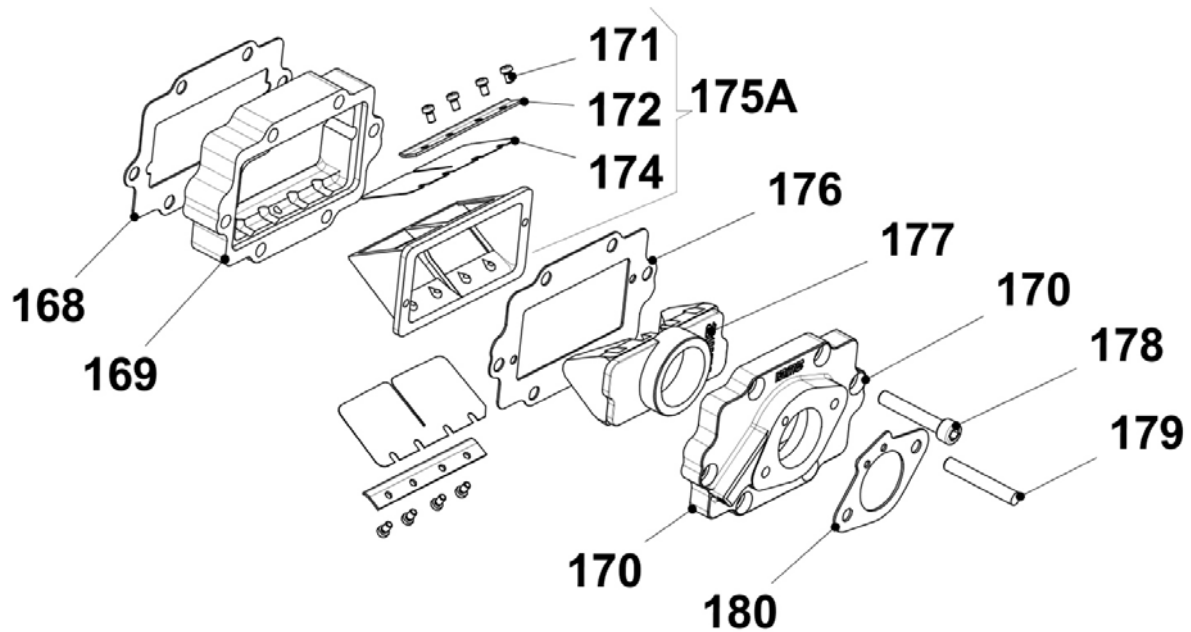


OK-004

RICAMBI / SPARES

POS	COD	DESCR	PRICE
120	F1NB40601	BALANCED MASS COVER OK/OKJ	
121	00042-K	KIT 20 SCREWS TCCE 6x16	
122	00053-K	20 SCREWS KIT M6X65	
123	B-71805	PRESSURE Cu FITT. GASKET	
124	X30125490	PRESSURE PLUG	
125	F1NB45100	BAL. MASS COVER GASKET OK/OKJ	
126	00139-K	KIT OF 20 ALLEN SCREWS 8x20	
127	F1NC81000	BALANCED MASS WASHER	
128	F1NC80900	BALANCED MASS	
129	10402	BALL BEARING SKF 6004 TN9 C4	
130	F1NC80000	MASS SUPPORT SHAFT OK/OKJ	
131	11715	SHAFT END/SPROCKET/MAGNETO KEY	
131A	000-VACANT	000-VACANT	
132	IFB-20501	BALL BEARING 6203 C4	
133	F1NC80800	MASS DRIVEN GEAR	
134	F1NC80100	COUNTERSHAFT DRIVE GEAR	
135	F1NC80200	MASS GEAR FIXING BOLT	
136	IFC-80201	LOCKING NUT	
137	F1NB41400	IGN. SIDE COVER GASKET OK/OKJ	
138	00041-K	KIT 20 SCREWS M6x10	
139	00345-K	KIT 20 M6 Cu WASHERS	
140	F1NB40400	GEARS COVER OK/OKJ	
141	00345-K	KIT 20 M6 Cu WASHERS	
142	00042-K	KIT 20 SCREWS TCCE 6x16	
144	IZB-90000	OIL LEVEL GAUGE	
145	IFB-40800A	OIL SEAL KF1-2-3	

INLET

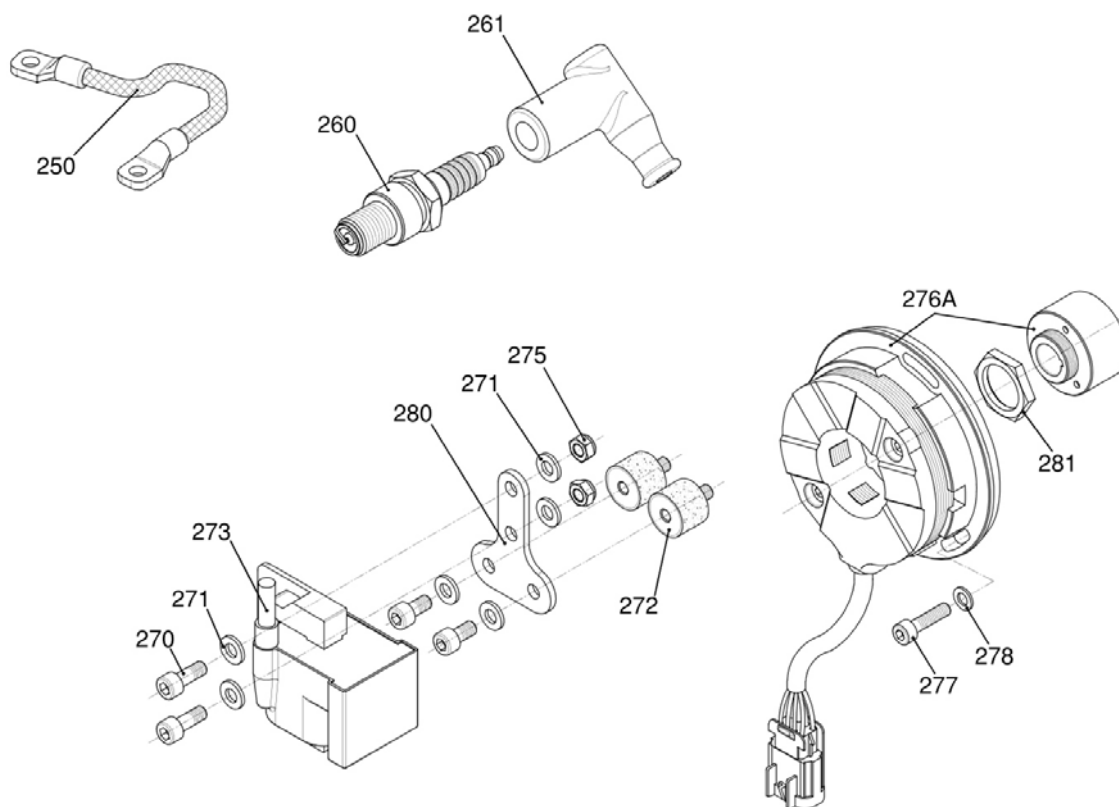


OK-905

RICAMBI / SPARES

POS	COD	DESCR	PRICE
168	F1NB40800	REED BLOCK HOLDER GASKET	
169	F1NB41600	REED BLOCK FLANGE HOLDER	
170	F2NB41000	CONVEYOR REEDSTER V OK '19	
171	10380	REEDS SCREW	
172	IFG-20250	REEDSTER REEDS CLIP	
174	IFG-20350-C2	CARBON PETALS KIT 0.26	
175A	F1NG02000	REED BLOCK OK	
176	F1NB41100	CONVEYOR GASKET REEDSTER	
177	F2NB40900	CONVEYOR PYRAMID REEDSTER V OK/OKJ '19	
178	00047-K	KIT OF 20 ALLEN SCREWS 6x35	
179	10358	EXHAUST STUDBOLT/REED GR. 6x34	
180	10360-B	CARBURETOR GASKET	

IGNITION

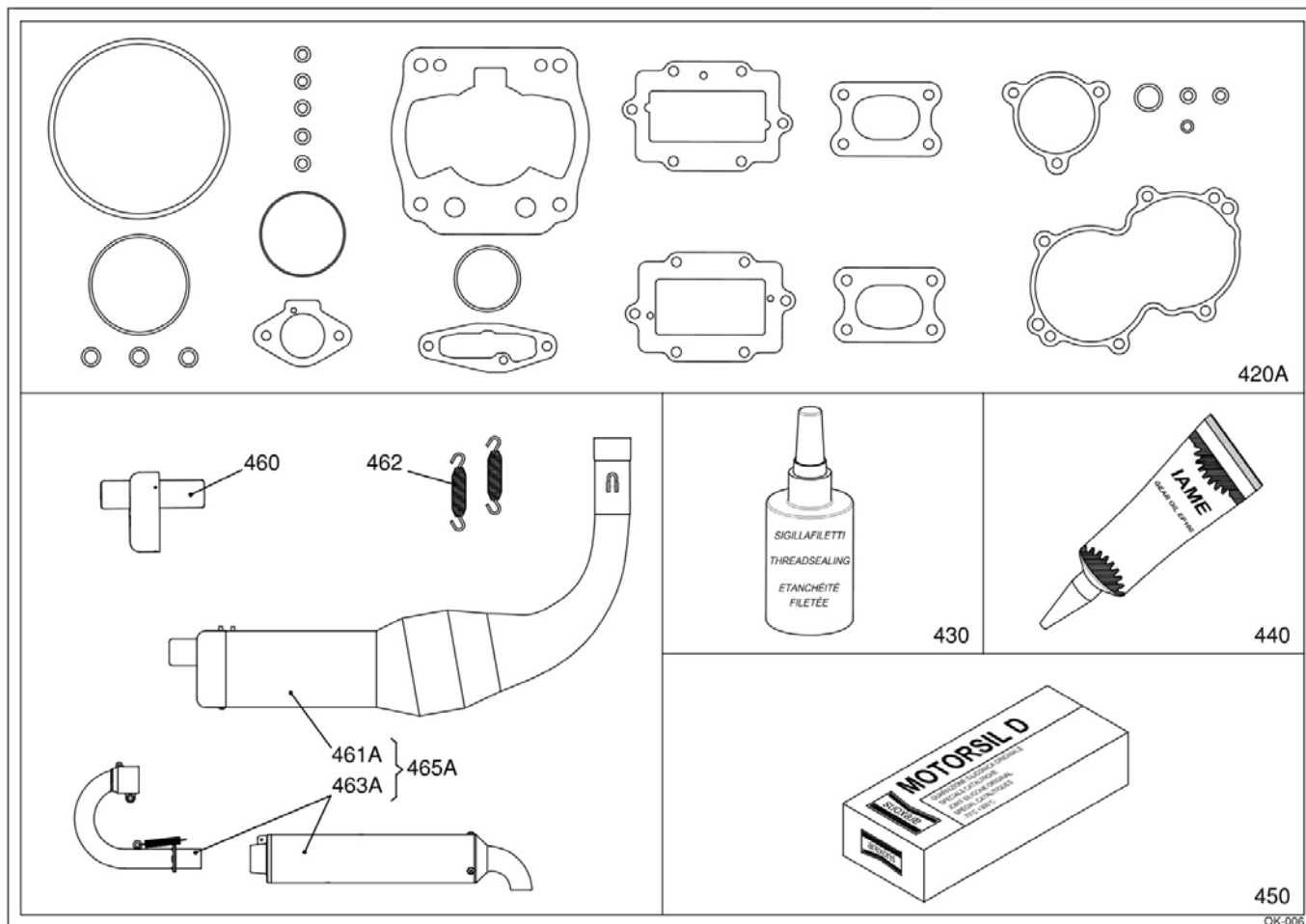


OK-007

RICAMBI / SPARES

POS	COD	DESCR	PRICE
250	B-35805-A	COIL GROUND CABLE	
260	10561-A	SPARK PLUG NGK BR10EG	
261	10544	PVL SPARK BLACK CAP	
270	00042-K	KIT 20 SCREWS TCCE 6x16	
271	00302-K	KIT 20 WASHERS M6	
272	X30125910	SILENT BLOCK BATTERY SUPPORT	
273	F1NE03000V	ELECTRONIC BOX OK	
275	00378-K	20 SELF LOCKING NUTS KIT M6	
276A	F1NE02000	IGNITION PVL OK/OKJ	
277	00032-K	KIT OF 20 SCREWS TCCE 5x20	
278	IFE-20900	LOCK WASHER - STATOR	
280	F1NE31200	IGN. COIL SUPPORT BRACKET	
281	F2NE20200	ROTOR LOCKING NUT	

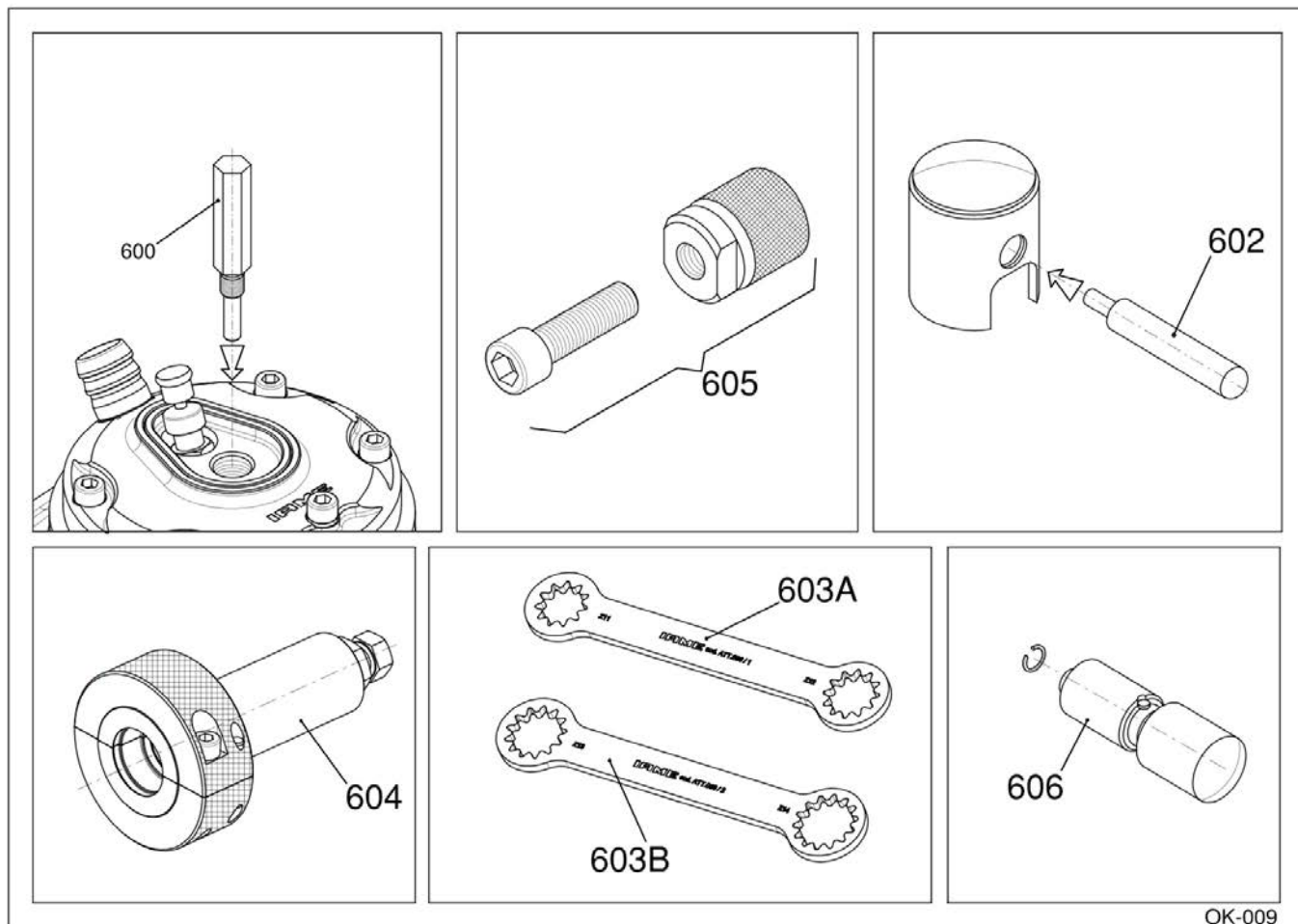
EXHAUST SYSTEM & GASKETS



RICAMBI / SPARES

POS	COD	DESCR	PRICE
420A	F2NZ00001	GASKET SET REEDSTER V OK	
430	00600	PIPE FITTING SEAL	
440	00606	GEAR G-EP100 WLAD.	
450	00602	GASKET AREXON	
460	10721-A	SILENCER END	
461A	F1NH04000	EXHAUST REEDSTER 4/5 OK	
462	IFH-55101	FLEXIBLE SPRING KF2 / KF3	

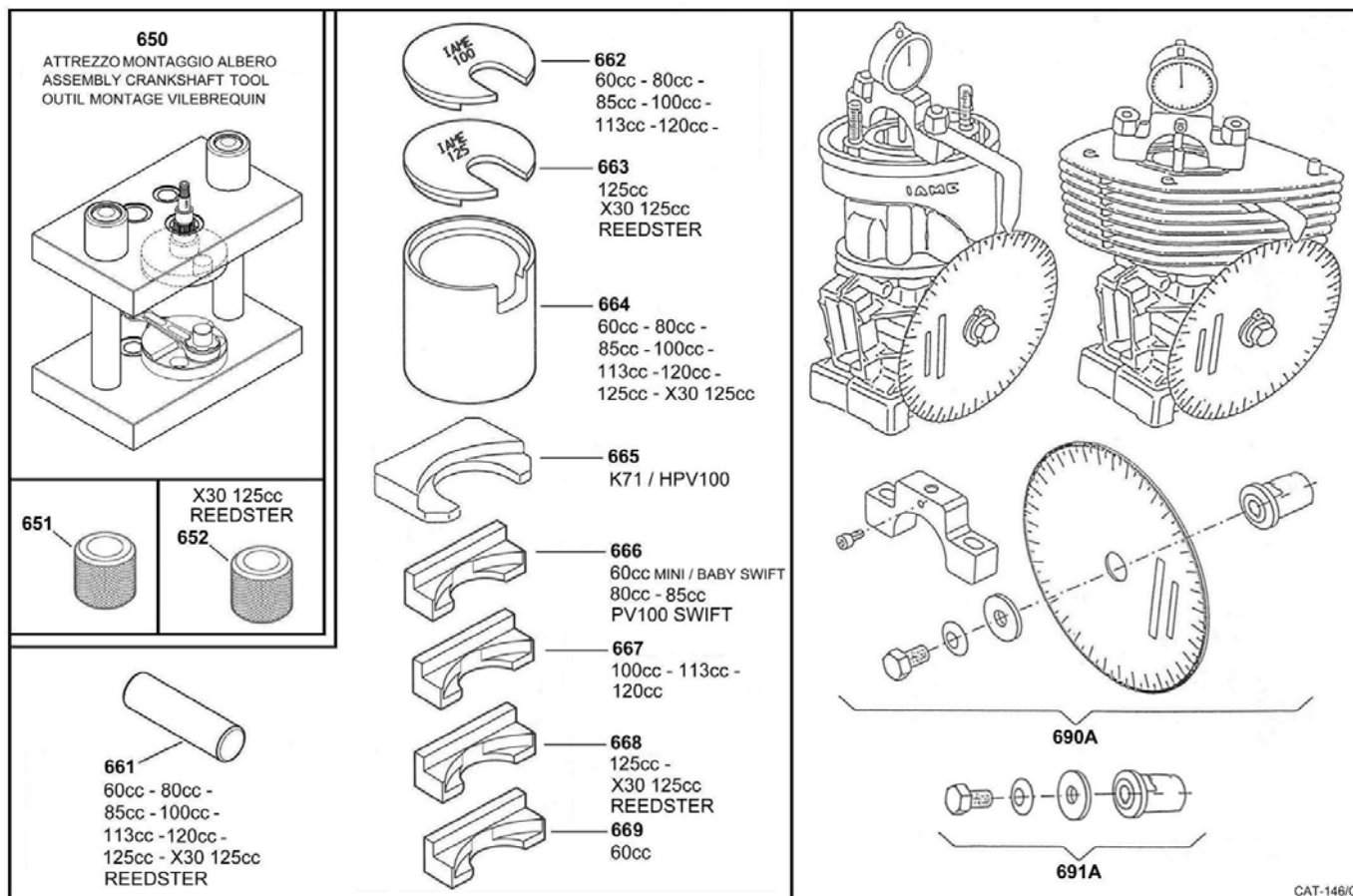
TOOLS



RICAMBI / SPARES

POS	COD	DESCR	PRICE
600	10271	PISTON STROKE LOCKER	
601A	ATT-010	GEAR PULLER REEDSTER	
602	ATT-017	PISTON PIN PUNCH d.15mm	
603	ATT-008	GEAR LOCK TOOL REEDSTER	
604	ATT-048	BEARING RING PULLER	
605	ATT-009	IGNITION PULLER REEDSTER	
606	ATT-006	CIRCLIP 15mm ASSEM.TOOL	

Cranksh.Ass./Disass. Timing control group



RICAMBI / SPARES

POS	COD	DESCR	PRICE
650	10110A	CRANKSHAFT ASSY TOOL	
652	10150A	CRANK-PIN BUSH 20mm	
661	10107	CRANK-PIN PUSHER	
663	10104A	CRANKSHAFT PLATE 125cc	
664	10100	CRANKSH. DISASSY SUPPORT	
668	10106B	CRANKSHAFT INSERT OK/OKJ	
690A	10820A	TIMING CHECK DISC TaG/REEDSTER	
691A	10820A	TIMING CHECK DISC TaG/REEDSTER	